



Interlocking Sandbox

Note:
This manual covers part numbers
02-3017, 02-3018 and 02-3019

Model: 2600

BOXES: Sandbox

Optional items:

Umbrella

Sandbox Cover

Copyright © 2022 Gorilla Playsets
All Rights Reserved

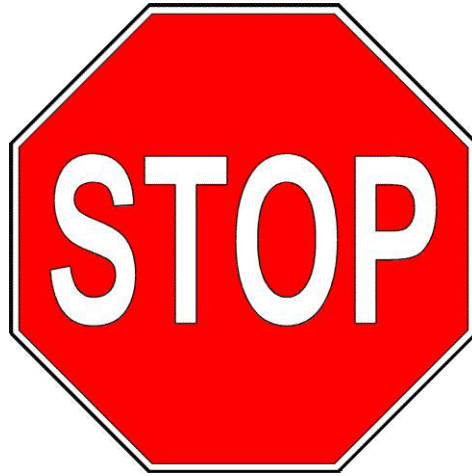


51-3017

166 Etowah Industrial Court
Canton, GA 30114

www.gorillaplaysets.com

REV: 9/7/2022



Please inspect and inventory all parts immediately upon accepting delivery. Use the inventory pages in the manual to make sure you have received all necessary parts. The quickest method to get any parts that are missing or damaged is to use our “Quick Response Center” located at:

www.gorillaplaysets.com/file-a-warranty-claim/

DO NOT RETURN THIS PRODUCT TO THE RETAILER OR CONTACT THE RETAILER DIRECTLY. THE RETAILER DOES NOT STOCK COMPONENTS.

PLEASE RETAIN ALL INSTRUCTIONS FOR FUTURE REFERENCE. KEEP THEM IN A SAFE PLACE WHERE YOU CAN REFER TO THEM AS NEEDED. CHECK FOR REVISED INSTRUCTIONS AT:

www.gorillaplaysets.com/assembly-manuals

GORILLA PLAYSETS WARRANTY – 2022

Gorilla Playsets® (“Gorilla”) warrants its play sets to be free from defects in workmanship and materials, under normal use and conditions, for 10 years for above ground structural wood components and for one year for all other components (e.g., swings, hardware, plastics, tarps, rope ladder, etc.).

Gorilla warrants all remaining products, including but not limited to its, Malibu Playhouse, Free Standing Swing Set, Free Standing Tire Swing, See-Saw, Children’s Picnic Table with Umbrella, Play-Zee-Bo™, Cedar Toy Chest, Interlocking Sandbox and spring riders to be free from defects in workmanship and materials, under normal use and conditions, for a period of 1 year.

Cosmetic imperfections and natural tendencies of wood such as peeling, splintering, warping, seasonal checking or cracking, knots or knot holes, etc. are normal characteristics of all outdoor wooden play equipment and are not covered by this warranty. Checks or cracks in wood components that do not affect the intended function of the part, piece or overall swing set are not covered under this warranty.

Wood rot or decay that develops because the product was installed in an area with poor drainage is not covered under this warranty. Lumber that has been damaged by wood boring bees, or conditions that develop as a result of faulty or improper installation of the product, are not covered by this warranty. Fading of stain, discoloration or mold on any wood part or accessory is not covered by this warranty. Cracks in plastic components, surface rust on hardware and chips on powder coated materials are not considered defects in material as long as they do not affect the functionality or structural integrity of the part or component.

It is the owner’s responsibility to maintain the swing set. **This includes but is not limited to staining and sealing the lumber as needed and regular inspection to be sure all hardware is tight.** Instructions for proper maintenance can be found on Gorilla’s website. Imperfections or conditions that develop because of a failure to properly maintain the swing set are not covered by this warranty.

Gorilla will, at its discretion, replace any above ground part within the stated warranty period that is defective in workmanship or materials. This decision is subject to verification of the defect, which, at Gorilla’s discretion, may be accomplished by submitting photographs or by delivery of the defective part to Gorilla Playsets • 166 Etowah Industrial Ct. • Canton, GA 30114 • 1-800-882-0272 Monday to Friday 9AM-5PM EST. Any warranty claim must include proof of purchase, including the date of purchase. **In addition, within the first 30 days from the date of purchase, Gorilla will replace any parts discovered to be missing from or damaged in the original packaging.**

This warranty is valid only if the product is used for the purpose for which it was designed and installed at a residential, single-family dwelling. This warranty is void if the product is used in a commercial, institutional or multi-family setting. **This warranty does not cover normal wear and tear or (a) products that have been damaged by acts of God and/or nature, negligence, misuse or accident; (b) products that have been modified or repaired by unauthorized persons; (c) the cost of labor; or (d) the cost of shipping any replacement product or part.**

GORILLA DISCLAIMS ALL OTHER REPRESENTATIONS AND WARRANTIES OF ANY KIND, EXPRESSED, IMPLIED, STATUTORY OR OTHERWISE, INCLUDING THE IMPLIED WARRANTIES OF MERCHANTABILITY AND FITNESS FOR A PARTICULAR PURPOSE. GORILLA WILL NOT BE LIABLE FOR ANY INCIDENTAL OR CONSEQUENTIAL DAMAGES. This warranty is non-transferable and does not extend to the owners of the product subsequent to the original purchaser. Some states do not allow limitations on implied warranties or exclusion of incidental or consequential damages, so these restrictions may not be applicable to you. This warranty gives you specific legal rights. You may also have other rights which vary from state to state.

IMPORTANT SAFETY GUIDELINES

This product is recommended for use by children ages 3-11. This product is intended for residential use only and not intended for use in any public setting. A safety surface such as mulch or recycled tire should be used under the play set to prevent injury from falls. Also a 6 foot safety zone should be used around the entire play set.

As with any home project, good judgment and respect for power tools will greatly reduce the risk of injury. Gorilla recommends you follow all tool manufacturers' safety guidelines. Always wear eye protection and safety gloves to prevent injury. In several phases of construction two people may be required for lifting and securing of lumber. While the play set is being constructed, please keep children off the equipment until the project is complete. Bolts and screw heads should be checked regularly for tightness. The ground ladder, rope ladder, slide, swings and other areas where children spend a majority of their playtime should be checked more frequently.

Gorilla shall not be liable for incidental, indirect or consequential damages or injuries that result from building and/or playing on our play sets. Adult supervision is recommended anytime a play set is being used.

WEIGHT LIMITS FOR GORILLA PLAYSETS

- FORT PLATFORMS: 800 LBS. TOTAL WEIGHT
- SWING BELT: 225 LBS.
- TANDEM SWINGS: 70 LBS. PER CHILD. UP TO 140 LBS. TOTAL WEIGHT.
- TRAPEZE: 125 LBS.
- FULL BUCKET SWING/ HALF BUCKET SWING: 50 LBS.
- HEAVY DUTY TODDLER BUCKET SWING: 85 LBS.
- INFANT SWING: 35 LBS.
- TIRE SWING: 125 LBS. TOTAL WEIGHT
- ROPE LADDER: 75 LBS.
- ROCK WALL: 150 LBS.
- CLIMBING RAMP: 150 LBS.
- MONKEY BARS: 175 LBS.
- ALL SLIDES: 150 LBS.

Gorilla recommends that the weight limits for all components must not be exceeded. Failure to adhere to these and other safety guidelines could result in damage to the play set and injury to the users.

PRODUCT REGISTRATION

- INTERLOCKING SANDBOX - 2600 -

Gorilla Playsets™ manufactures the finest quality products that are designed for outstanding strength and durability. We back our products with unparalleled warranties. In the unlikely event that you need to contact us about covered repairs, we must have a valid Product Registration on file.

3 EASY WAYS TO REGISTER	
OPTION 1	Complete the online registration form at: https://www.gorillaplaysets.com/product-registration
OPTION 2	Fax this completed form to: (678) 880-3300
OPTION 3	Mail this completed form to: Gorilla Playsets 166 Etowah Industrial Court Canton, GA 30114

Where did you buy this product?

Date of Purchase _____ Store _____ Store City _____ Store State _____

Your registration information:

Name: _____ Email: _____

Address: _____

Street

City

State

Zip

Please select 18-30 41-50
your age 31-40 51+
How old are 2-3 6-7
your children? 4-5 8+
Number of
children

How would ★ ★ ★ ★ ★ Excellent
you rate the ★ ★ ★ ★ Above Average
quality of this ★ ★ ★ Average
product? ★ ★ Below Average
 ★ Poor

Would you recommend this product to friends & family? Yes No

May we add you to our mailing list? Yes No

May we use your comments on websites or other marketing materials? Yes No

Comments: _____

THIS PAGE INTENTIONALLY LEFT BLANK

IMPORTANT – PLEASE READ

Congratulations! You have just purchase one of the finest residential wooden swing sets available today. As with any wooden product that spends its entire life outside, in varying elements, it is important to know what to expect with your new swing set so that your family can enjoy it for many years.

As your swing set acclimates to its new environment, natural characteristics of the wood can show in the form of checks, or “cracks” in the lumber. In almost all cases this is normal and it will not affect the structural integrity of your play set and is not covered under warranty.

KEEPING YOUR PLAYSET LIKE NEW

MUST DO's

The following owner responsibilities are crucial to the safety, integrity and aesthetic appeal of your swing set and may affect the warranty if not adhered to.

WITHIN 60 DAYS

- Check and tighten Hex Bolts/T-nuts, Carriage Bolts/Lock-nuts, and Lag Screws within the first 60 days and then twice annually – once before each season and then once during the season.

WITHIN 90 DAYS

- Apply a **sealant** or **semi-transparent stain with sealant** within the first 90 days of owning the swing set. Our own Stain/sealant is available online here: <http://www.gorillaplaysets.com/Playground-Sealant-p/10-0003.htm>

Oil based stain or water based stain may be used. Should you choose to use other stain we suggest asking the product covering specialists at any number of specialty paint stores or home improvement centers for a product that would work best for your local environment. ** TIP – while the set is new, take a small board from the store with you so they can color match the tint of the stain or sealant.

SEASONAL REMINDERS

- If your area experiences regular snowfall, remove your fabric tarp/canopy to avoid stretching, sagging or tearing of the material. Store it inside, folded up, and it will be as good as new when winter is over.
- If your area experiences extremely cold temperatures, remove swing belts and other pliable features to prolong the lifespan of these play activities.

OTHER TIPS

- Spray swing hangers with Pam, Mazola or olive oil to stop squeaking; do not use petroleum based products such as WD-40 or motor oil.
- To repel yellow jackets and wasps, use a cotton ball and dab interior wooden corners underneath the play set deck with a liquid dish soap. Avoid using insecticides.
- To speed up the slide wipe the center of slide with wax paper every 2 - 3 weeks.

For additional safety and maintenance guidelines, please visit our website.



IMPORTANT DOCUMENTS

CUSTOMER MUST READ AND RETAIN

Please go to the following links and read important SAFETY information prior to using your new play structure.

<http://www.gorillaplaysets.com/safety-tips/>

<https://www.gorillaplaysets.com/suggested-maintenance>

<http://www.gorillaplaysets.com/assembly-manuals/>

(Click on your specific model)

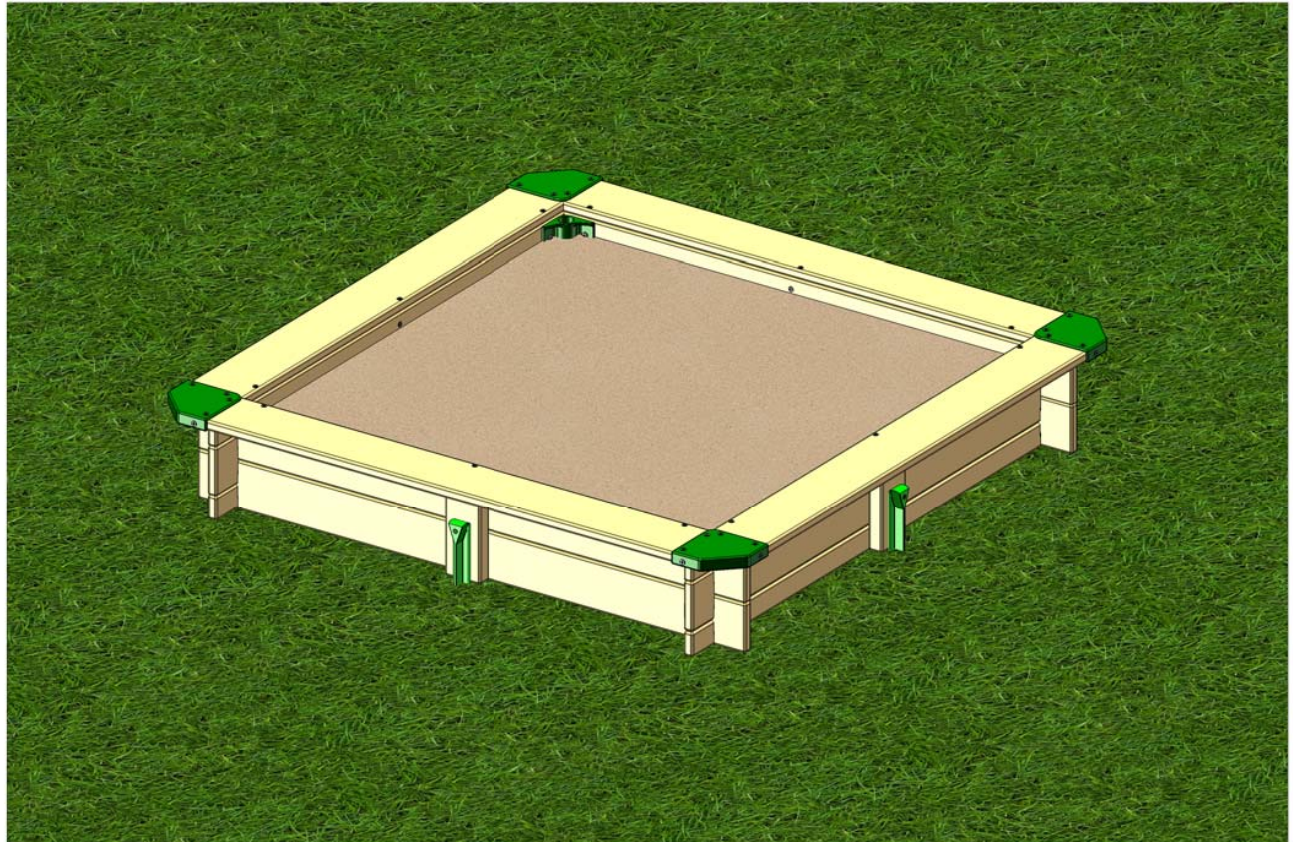
<http://www.gorillaplaysets.com/warranty/>

NOTE: Your children's safety is our #1 concern. Observing the following statements and warnings reduces the likelihood of serious injury. Please review these safety rules regularly with your children.

WARNING:

Children must NOT use this play set until it has been completely assembled and inspected by an adult to ensure it has been properly installed.

Gorilla Playsets
166 Etowah Industrial Court
Canton, GA. 30114



Model: 2600

BOXES: Sandbox

Optional items:

Umbrella

Sandbox Cover

REV: 3.31.2016

TABLE OF CONTENTS

Safety Guidelines and General Information.....	Pages 3-6
Site Plan, Required Tool List and Kit Contents.....	Pages 7-8
Hardware, Lumber and Accessories Checklist.....	Pages 9-10
Area Preparation and First Boards.....	Step 1
Sandbox Board 2 (1st pair).....	Step 2
Sandbox Board 2 (2nd pair).....	Step 3
Sandbox Board 2 (3rd pair).....	Step 4
Sandbox Board 1 (2nd pair).....	Step 5
Sandbox Board 3 Holes.....	Step 6
Sandbox Board 3.....	Step 7
Ground Stakes.....	Step 8
Sandbox Board 4.....	Step 9
Corner Covers.....	Step 10
Option 1: Umbrella Bracket.....	Page 21
Option 1: Umbrella Mast Installation.....	Page 22
Option 1: Umbrella Completion.....	Page 23
Option 2: Sandbox Cover.....	Page 24

**PLEASE READ OWNER'S MANUAL CAREFULLY
BEFORE STARTING ASSEMBLY!**

Safety and Maintenance Tips for Your New Play Set:

NOTE: Your children's safety is our #1 concern. Observing the following statements and warnings reduces the likelihood of serious or fatal injury. Please review these safety rules regularly with your children.

- This sandbox is designed for use by children.
- On-site adult supervision is required.
- Teach children not to use the equipment in a manner other than intended.
- The parents should have the children dress appropriately with well-fitting shoes. Loose clothing such as scarves and ponchos should not be worn. Always take off, tie up or tuck in cords and drawstrings on children's clothing. These things can get caught on playground equipment and strangle a child.
- Teach children not to use equipment when it is wet.
- Verify that any suspended climbing ropes, chains, or cables are secured at both ends and that they cannot be looped around an adult hand.
- Teach children not to attach items to the playground equipment that are not specifically designed for use with the equipment, such as, but not limited to, jump ropes, clothesline, pet leashes, cables and chain as they may cause a strangulation hazard.
- Teach children to never use the optional umbrella as a pivot to swing around.
- Teach children to never climb or slide down the optional umbrella mast.
- Remove the umbrella if it becomes damaged or broken.
- Remove the sandbox cover if it becomes damaged and replace it.
- Teach children to remove their bike or other sports helmet before playing on the playground equipment.

WARNING: Children must NOT use the sandbox until it has been completely assembled and inspected by an adult to insure it has been properly installed and anchored.

Safety and Maintenance Tips for Your New Play Set: (continued)

Playgrounds should be inspected on a regular basis. If any of the following conditions are noted, they should be removed, corrected, or repaired immediately to prevent injuries.

- Hardware that is loose, worn or that has protrusions or projections.
- Exposed equipment footings.
- Scattered debris, litter, rocks, or tree roots.
- Splinters, large cracks, and decayed wood components.
- Deterioration and corrosion on structural components, which connect to the ground.
- Missing or damaged equipment components, such as handholds, guardrails, swing seats.
- Check all nuts and bolts twice monthly during the usage season and tighten as required. (But not so tight that you crack the wood) It is particularly important that this procedure be followed at the beginning of each season.
- Check all coverings for bolts and sharp edges twice monthly during usage season to be certain they are in place. Replace when necessary. It is especially important to do this at the beginning of each new season.
- Check ropes, cables and chains monthly during usage season for evidence of deterioration. Ropes, cables and chains should be removed and replaced if excessive wear is found. Contact us for warranted replacement parts.
- Inspect wood parts monthly. The grain of the wood sometimes will lift in the dry season causing splinters to appear. Light sanding may be necessary to maintain a safe playing environment. If you are treating your play set with stain regularly, it will help prevent severe checking/splitting and other weather damage.
- Once or twice a year, depending on your climate conditions, you must apply some type of protection (sealant) to the wood of your unit. Prior to the application of sealant, lightly sand any "rough" spots on your set. Please note this is a requirement of your warranty.
- Creating and maintaining the play set on a level location is very important. As your children play, your play set will slowly dig its way into the soil, and it is very important that it settles evenly. Make sure the play set is level and true once each year or at the beginning of each play season.
- During the usage season rake the sand to prevent compaction. Replace the sand as required.
- Disposal Instructions: When the play set is no longer desired, it should be disassembled and disposed of in such away that no unreasonable hazards will exist at the time the play set is discarded.

Play Set Surfacing Recommendations:

Below are some of the recommendations that the U.S. Consumer Product Safety Commission (CPSC) offers from its Handbook for Public Playground Safety. The guide can be downloaded in full at www.cpsc.gov/cpscpub/pubs/325.pdf

1. Protective Surfacing - Since almost 60% of all injuries are caused by falls to the ground, protective surfacing under and around all playground equipment is the most critical safety factor on playgrounds.

Certain manufactured synthetic surfaces also are acceptable; however, test data on shock absorbing performance should be requested from the manufacturer.

Asphalt and concrete are unacceptable. They do not have any shock absorbing properties. Similarly, grass and turf should not be used. Their ability to absorb shock during a fall can be reduced considerably through wear and environmental conditions.

Certain loose-fill surfacing materials are acceptable. Surfacing materials are acceptable, such as the types and depths shown in the table.

Fall Heights and Materials

Type Of Material	6 in. depth	9 in. depth	12 in. depth
Double-Shredded bark mulch	6' Fall Height	10' Fall Height	11' Fall Height
Wood Chips	6' Fall Height	7' Fall Height	12' Fall Height
Fine Sand	5' Fall Height	5' Fall Height	9' Fall Height
Shredded Tires*	10-12' Fall Height	N/A	N/A
Fine Gravel	6' Fall Height	7' Fall Height	10' Fall Height

*This data is from tests conducted by independent testing laboratories on a 6-inch depth of uncompressed shredded tire samples produced by four manufacturers. The tests reported critical heights, which varied from 10 feet to greater than 12 feet. It is recommended that persons seeking to install shredded tires as a protective surface request test data from the supplier showing the critical height of the material when it was tested in accordance with ASTM F1292.

It should be recognized that all injuries due to falls cannot be prevented no matter what surfacing material is used.

2. Fall Zones - A fall zone, covered with a protective surfacing material, is essential under and around equipment where a child might fall. This area should be free of other equipment and obstacles onto which a child might fall. Stationary climbing equipment and slides should have a fall zone extending a Minimum of 6' in all directions from the perimeter of the equipment.

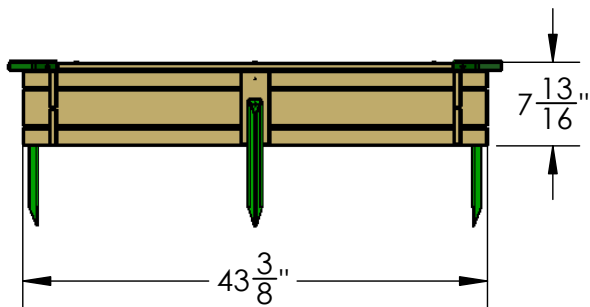
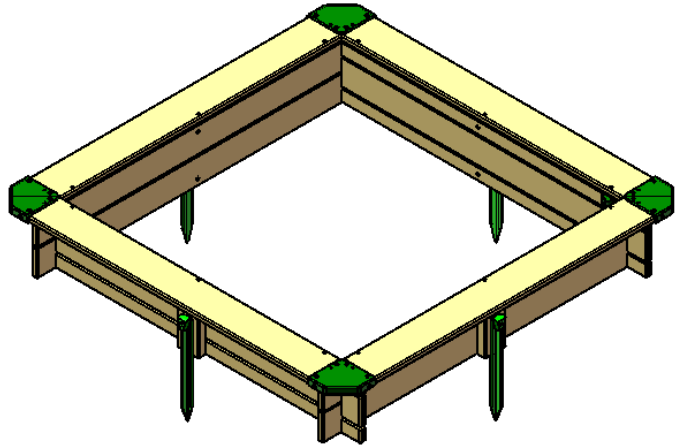
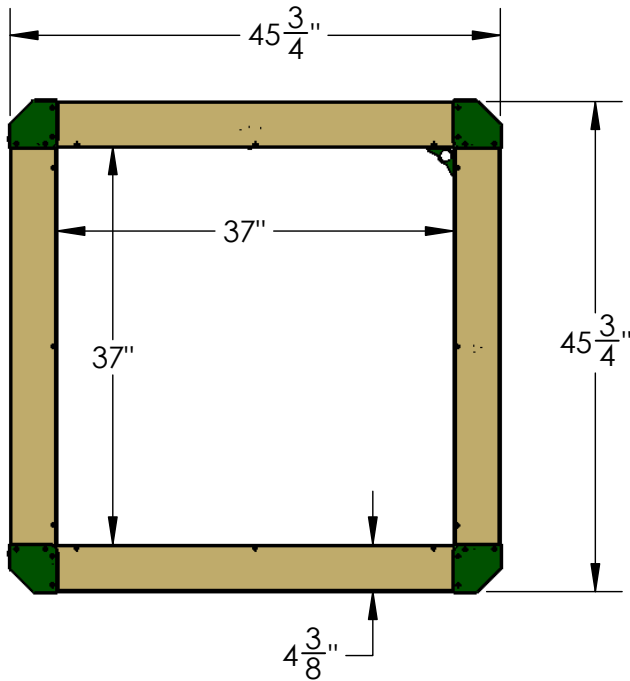
Swings should have a fall zone extending a minimum of 6' from the outer edge of the support structure on each side. The fall zone in front and back of the swing should extend out a minimum distance of twice the height of the swing as measured from the ground to the top of the swing support structure.

General Info to Review Before Installation

- Depending on your experience, assembly of the sandbox can take as little as 1/2 to 1 hour, after inventory of parts.
- Identify all of the parts for the sandbox. Empty each box and lay out boards so you can see each part. Your instruction book will have detailed drawings that will make it easy for you to recognize individual parts. Keep all hardware and other parts separate from wooden pieces.
- After everything is laid out, check carefully to ensure all parts are present. Make sure there are no broken boards.
- Find an area to sort your hardware. It is best to open the hardware on a solid surface so that you do not lose any pieces in the grass. This will save time and familiarize you with all the different pieces in the hardware bag.
- Important note: Wood has some natural defects such as knots, surface cracks, etc... We reject parts that are structurally defective. We use a high quality lumber in our structures; however, you should inspect each part for splinters or rough spots and sand them smooth to prevent injury.
- After familiarizing yourself with all of the components, read all instructions thoroughly. Reading instructions after you have studied the parts will help you understand the installation process, and help to eliminate unnecessary mistakes.
- Pay close attention to the diameter, length and type of each screw.
- After you complete installation, make sure every screw is tight, and every board is secure. Wood will expand and contract with the seasons.
- Place the sandbox on level ground, not less than 6 feet from any structure or obstruction such as a fence, garage, house, overhanging branches, laundry lines, or electrical wires.

Please familiarize yourself with the manual, parts/components and general construction process of your new playset before getting started.

SITE PLAN:



Sand required for 6" depth: 475 pounds or 9.5 - 50 pound bags (not included)

Approximate assembly time: 1 hour or less

(6) foot unobstructed safety perimeter around sandbox recommended

REQUIRED TOOL LIST:

- Phillips Screwdriver and/or Standard or Cordless Drill w/ Phillips Bit
- (Optional: Drill Bit 1/16")
- Level
- Tape Measure
- Extension Cord (if using standard drill)
- Hammer
- Pencil
- Carpenter's Square or Speed Square
- Shovel

OPTIONAL SUPPLIES:

- Weed Blocking Fabric (purchased separately)

KIT CONTENTS:**Included Accessories:**

- (Qty) Description
- (4) Corner Covers
- (4) Ground Stakes
- (1) Umbrella Bracket

Optional Accessories (purchased separately):

- (1) Umbrella
- (1) Sandbox Cover

Hardware:

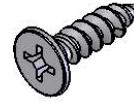
see following pages

Wood Components:

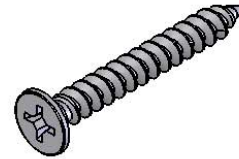
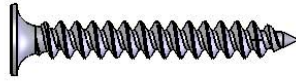
see following pages

2600 SANDBOX HARDWARE

#6 X 3/4"
FLAT BUGLE HEAD SCREW
QTY: 25



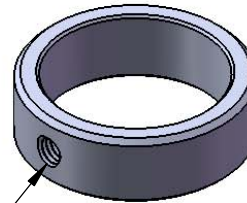
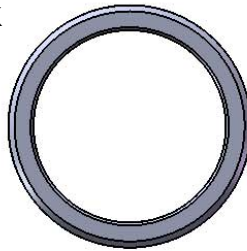
#6 X 1-1/2"
FLAT BUGLE HEAD SCREW
QTY: 30



#12 X 3/4"
PHILLIPS PAN HEAD SCREW
QTY: 4



1.000" I.D. X 1.265" O.D. X .390" THICK
SET SCREW COLLAR
QTY: 1

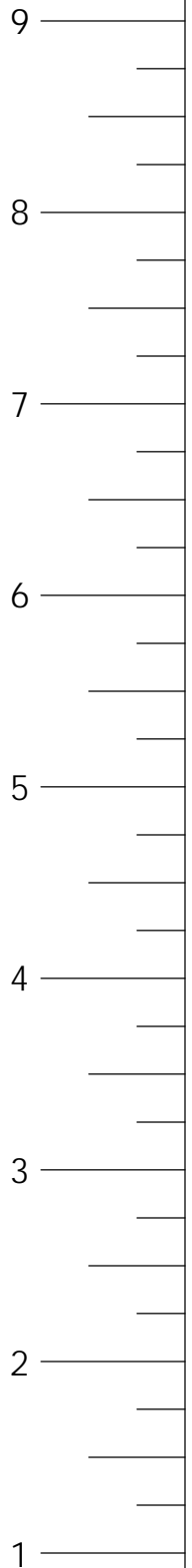


M6 X 1.0 THREAD
FOR SET SCREW

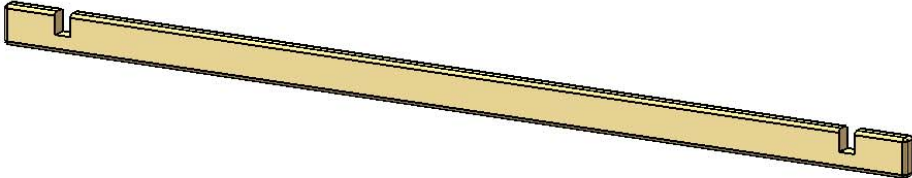
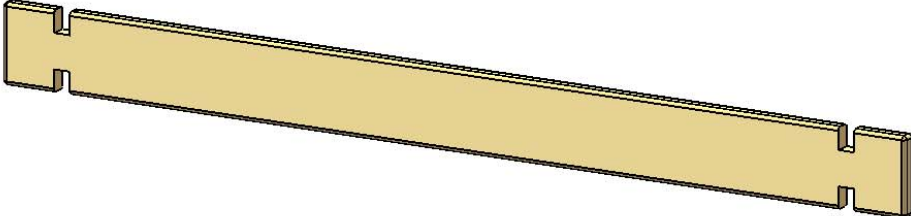
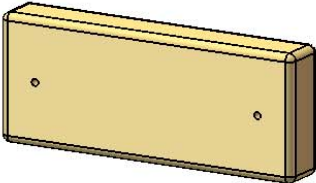
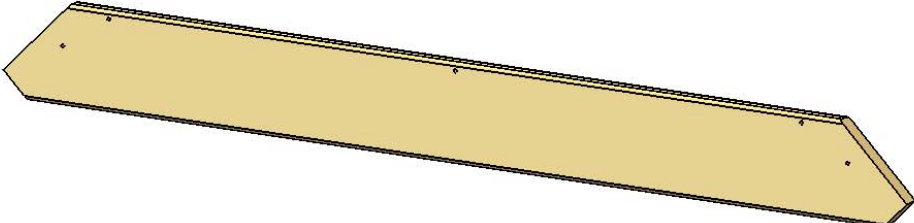
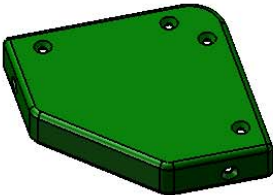
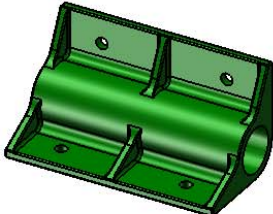
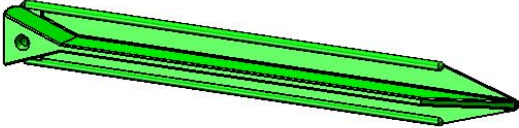
M6 X 1.0 THREAD X 8mm L
SET SCREW
STAINLESS STEEL
QTY: 1



3mm
ALLEN WRENCH
QTY: 1



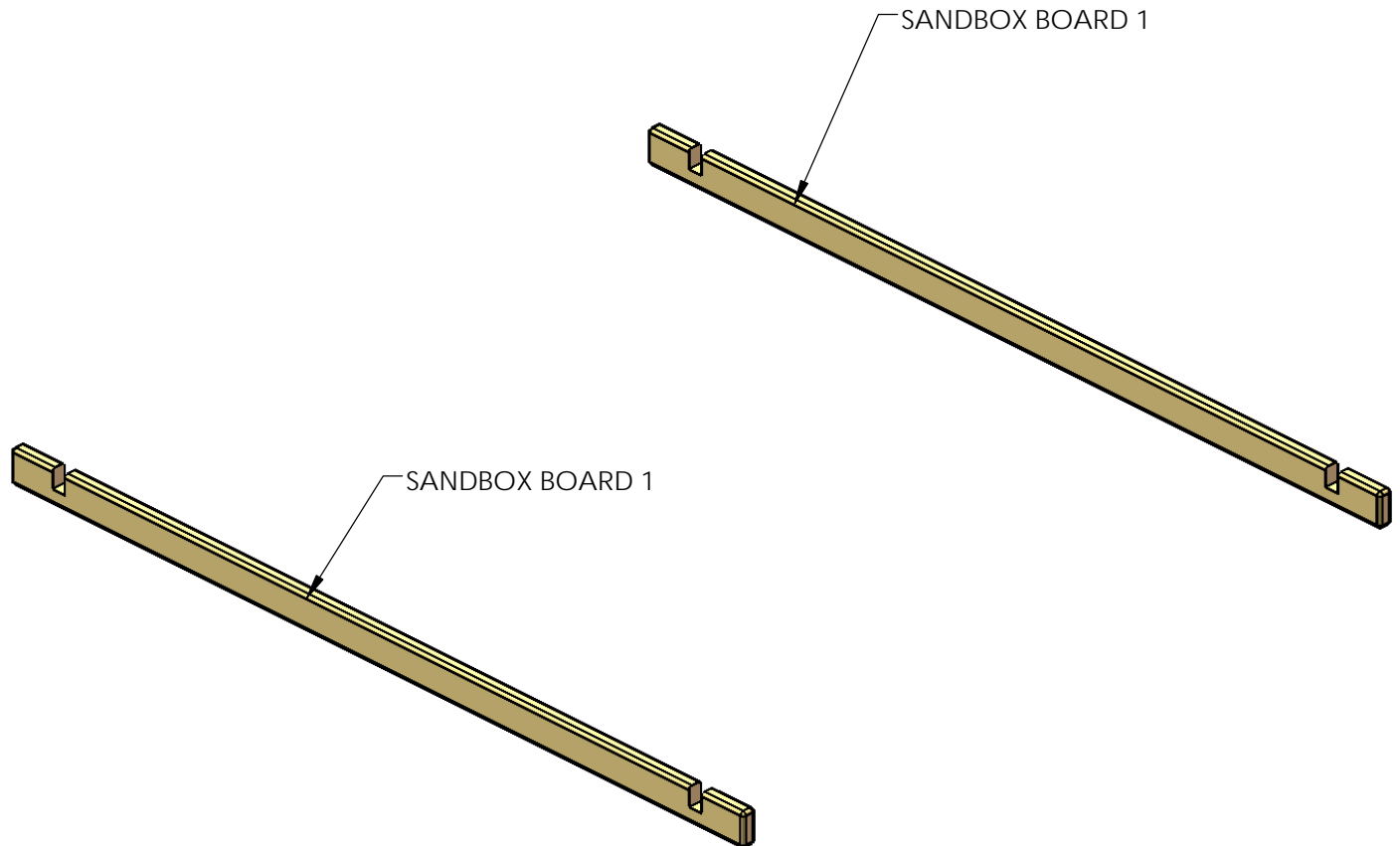
USE THE RULER TO THE RIGHT TO MEASURE YOUR BOLTS AND SCREWS. PICTURE VIEWS SHOWN ABOVE ARE 1:1 SCALE AND CAN BE USED TO MATCH BOLT AND SCREW SIZES.

PICTURE	DESCRIPTION	QTY.
	Sandbox Board 1 1-2-4338-SB1	4
	Sandbox Board 2 1-4-4338-SB2	6
	Sandbox Board 3 2-3-0700-SB3	4
	Sandbox Board 4 1-5-4344-SB4	4
	Corner Cover	4
	Umbrella Bracket	1
	Ground Stake	4
(Not Shown - bagged hardware)	2600 Hardware	1

STEP 1: AREA PREPARATION AND FIRST BOARDS

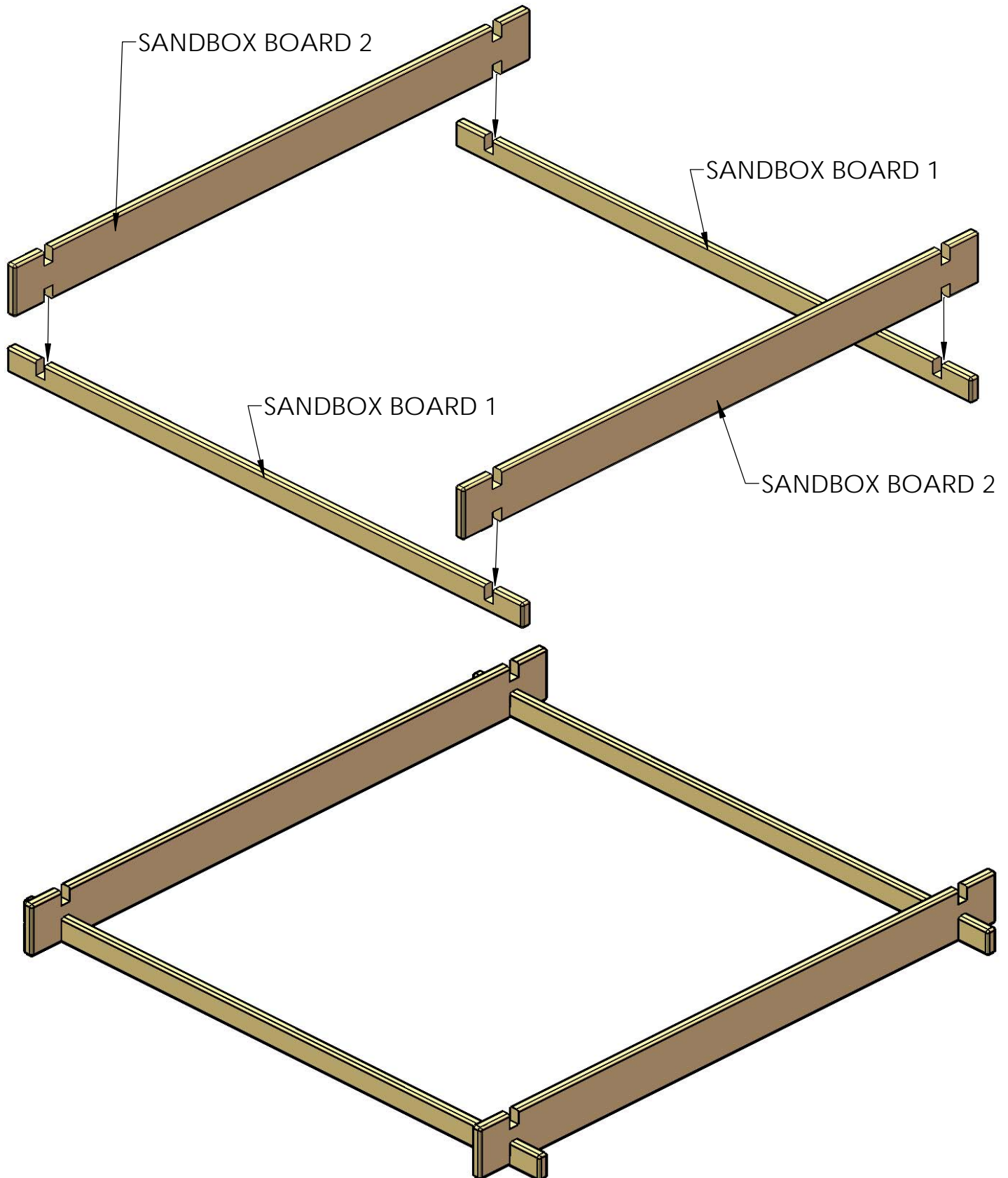
1: PREPARE THE AREA FOR THE SANDBOX IN YOUR YARD. TRY TO MAKE THE AREA AS FLAT AS POSSIBLE WITH A SHOVEL. REMOVE GRASS AND WEEDS FROM THE AREA.

2: PLACE TWO OF THE **SANDBOX BOARD 1** PIECES ON THE GROUND AS SHOWN BELOW.



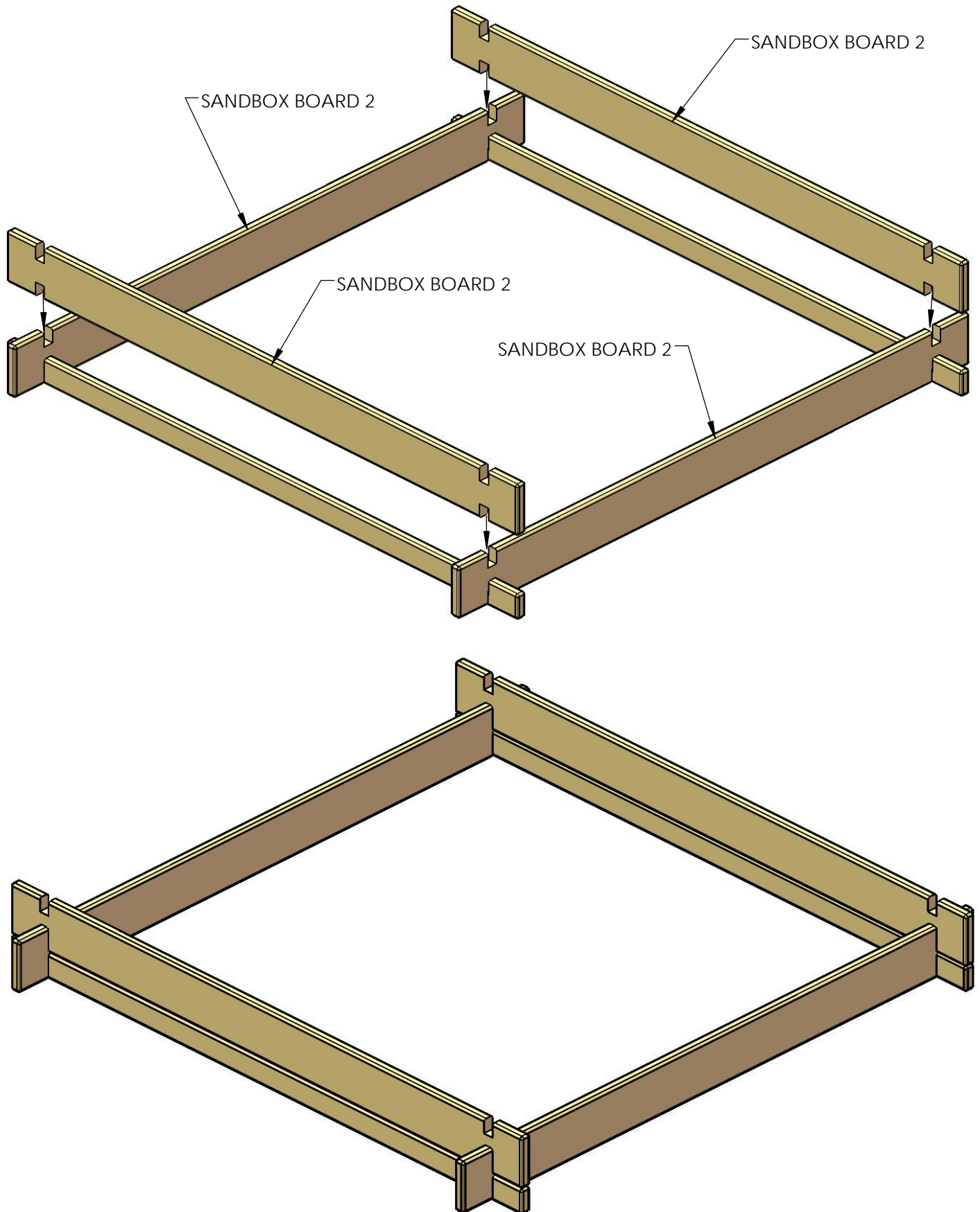
STEP 2: SANDBOX BOARD 2

1: PLACE SANDBOX BOARD 2 ON TOP OF SANDBOX BOARD 1 LOCKING THE NOTCHES TOGETHER. THIS STEP IS COMPLETE AS SHOWN AT THE BOTTOM OF THE PAGE.



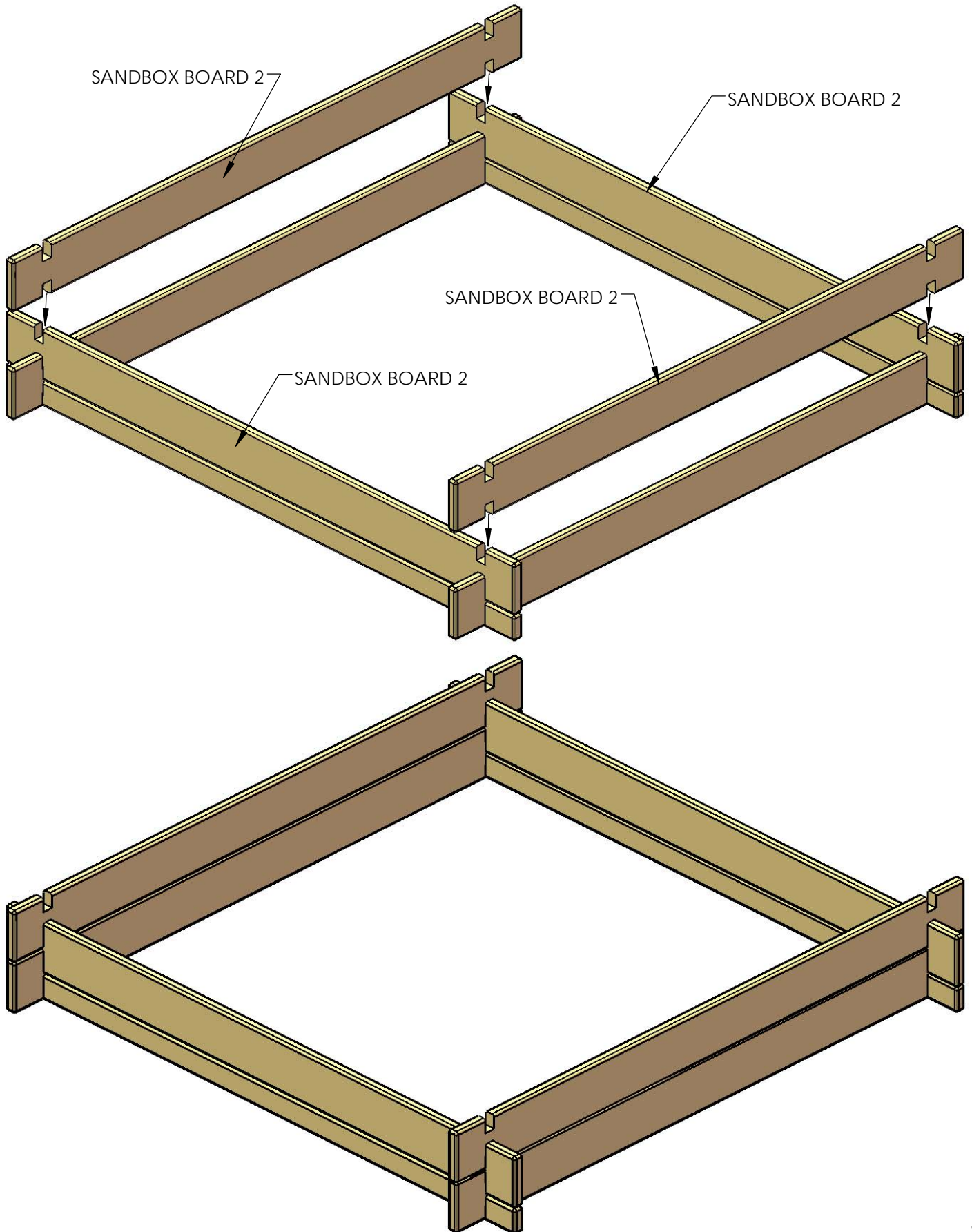
STEP 3: SANDBOX BOARD 2

1: PLACE SANDBOX BOARD 2 ON TOP OF SANDBOX BOARD 2 LOCKING THE NOTCHES TOGETHER. THIS STEP IS COMPLETE AS SHOWN AT THE BOTTOM OF THE PAGE.



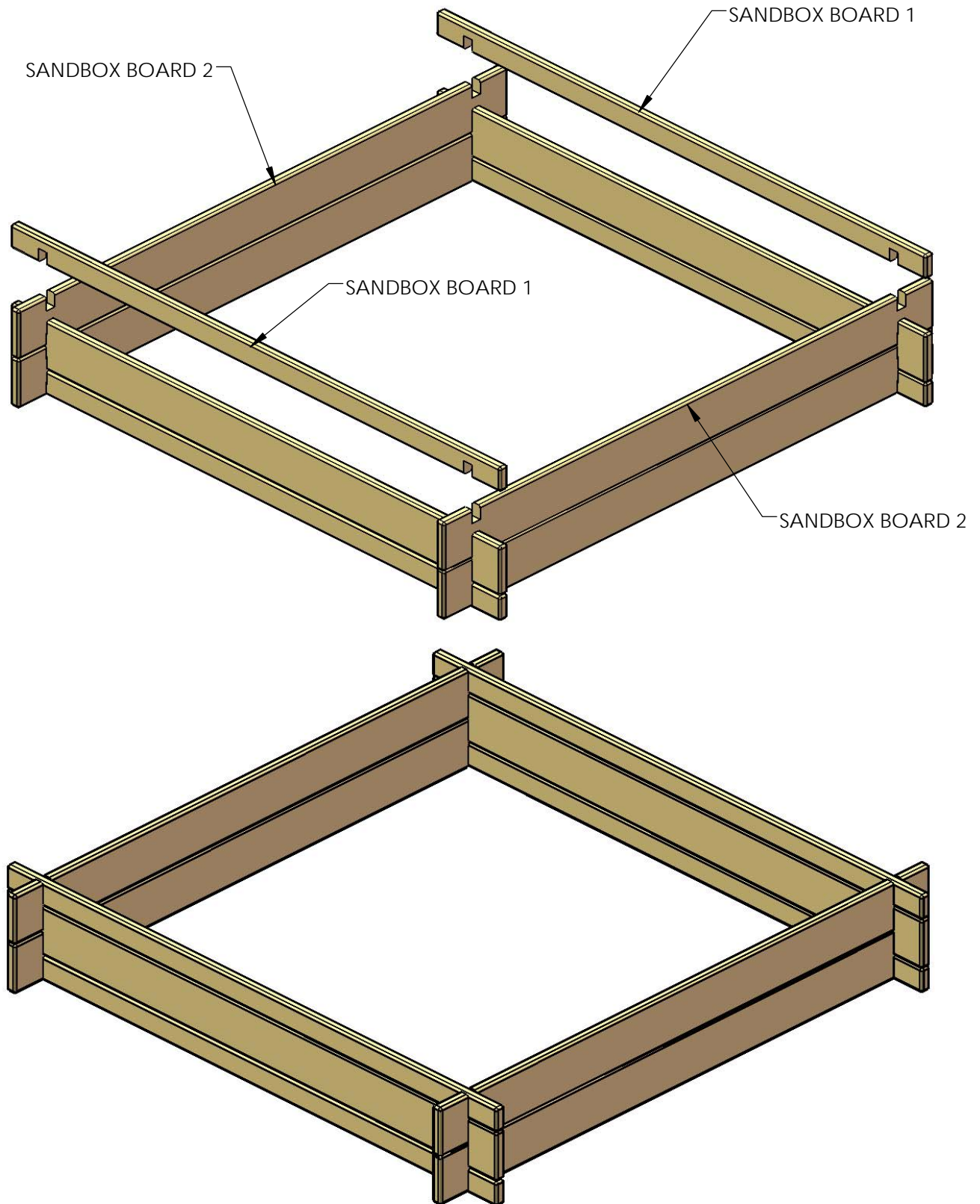
STEP 4: SANDBOX BOARD 2

1: PLACE SANDBOX BOARD 2 ON TOP OF SANDBOX BOARD 2 LOCKING THE NOTCHES TOGETHER. THIS STEP IS COMPLETE AS SHOWN AT THE BOTTOM OF THE PAGE.



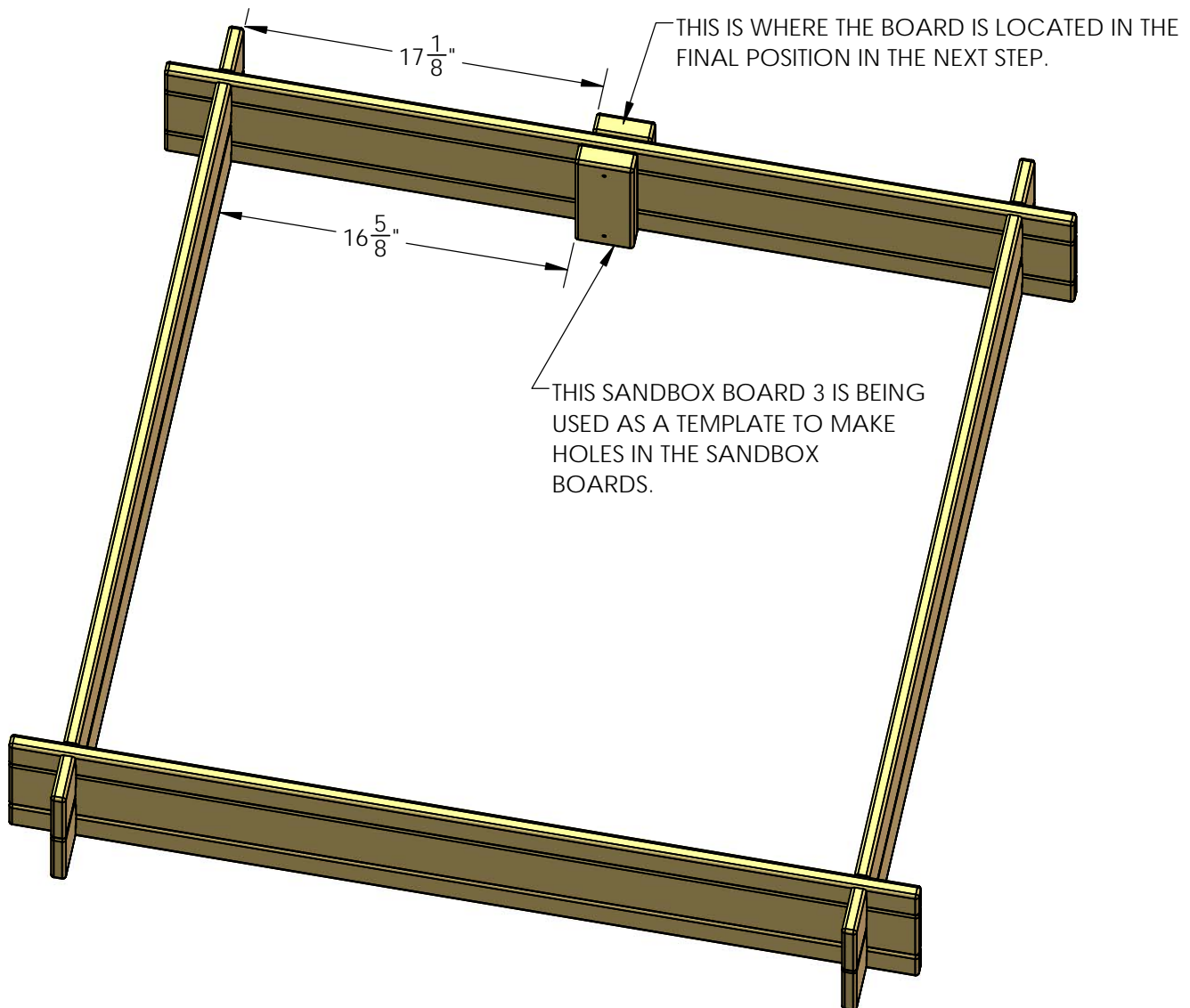
STEP 5: SANDBOX BOARD 1

1: PLACE SANDBOX BOARD 1 ON TOP OF SANDBOX BOARD 2 LOCKING THE NOTCHES TOGETHER. THIS STEP IS COMPLETE AS SHOWN AT THE BOTTOM OF THE PAGE.



STEP 6: SANDBOX BOARD 3 HOLES

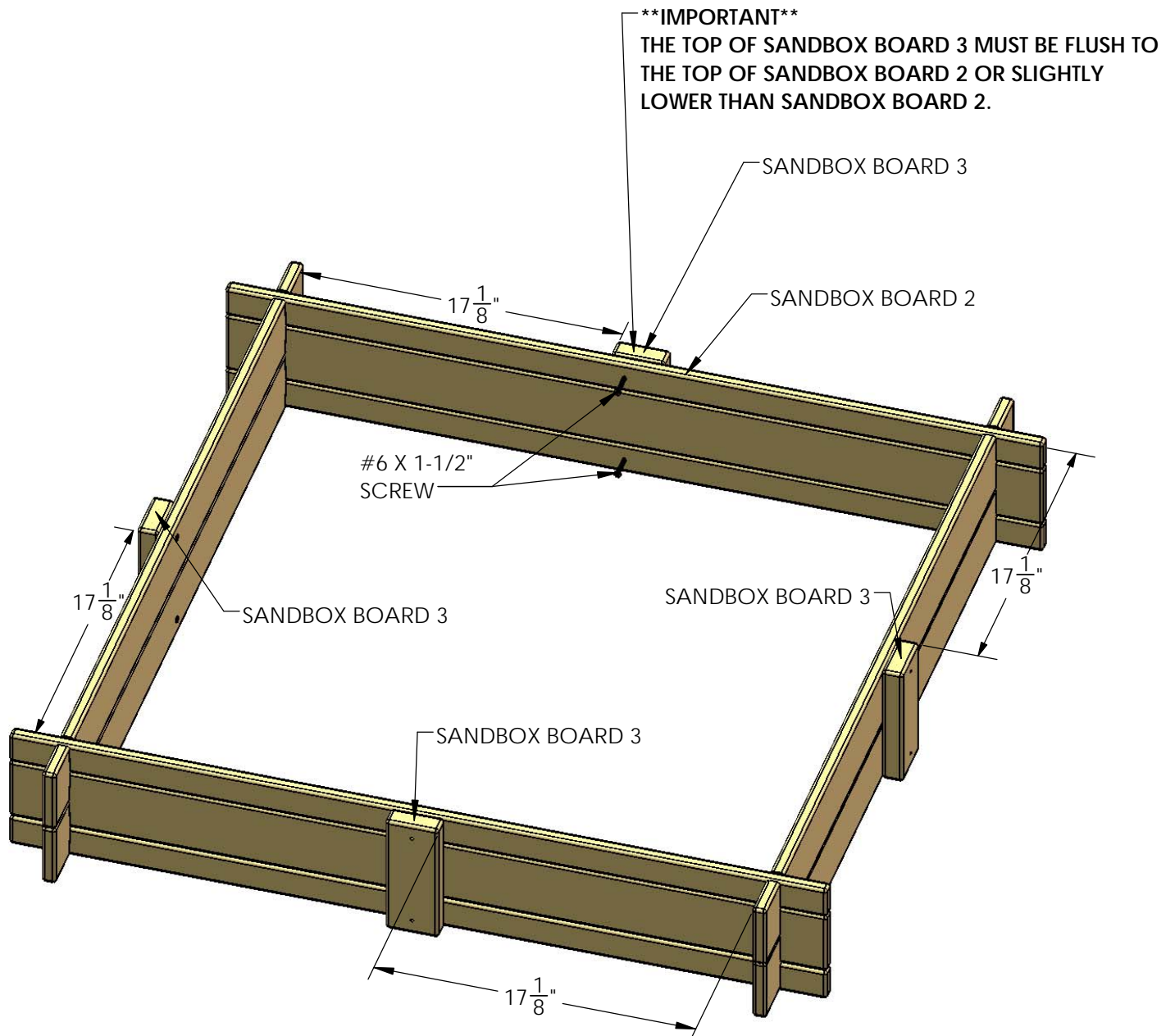
- 1: IN THIS STEP YOU WILL BE MAKING HOLES FOR THE SANDBOX BOARD 3 BOARDS.
- 2: THE SANDBOX BOARD 3 HOLES WILL BE USED AS A TEMPLATE TO MAKE HOLES IN THE SANDBOX BOARD 1 AND 2 BOARDS.
- 3: PLACE A SANDBOX BOARD 3 BOARD INSIDE THE SANDBOX. THIS ONE WILL BE THE TEMPLATE TO MAKE THE HOLES. THE OTHER SANDBOX BOARD 3 ON THE OUTSIDE WILL BE THE FINAL POSITION OF THE BOARD AFTER IT IS ATTACHED IN THE NEXT STEP.
- 4: USE A SCREW TO MARK THROUGH THE HOLES IN THE TEMPLATE BOARD ONTO THE SANDBOX BOARDS. THEN REMOVE THE TEMPLATE BOARD.
- 5: REPEAT THIS PROCESS FOR THE OTHER THREE SIDES.



STEP 7: SANDBOX BOARD 3

1: MEASURE FROM THE INSIDE FACE OF THE SANDBOX BOARD 17-1/8" AS SHOWN. PLACE SANDBOX BOARD 3 INTO POSITION. THE TOP OF THE BOARD SHOULD BE FLUSH TO THE TOP OF SANDBOX BOARD 2 OR SLIGHTLY LOWER THAN SANDBOX BOARD 2. DRIVE THE #6 X 1-1/2" SCREWS FROM THE INSIDE OF THE SANDBOX BOARDS INTO SANDBOX BOARD 3.

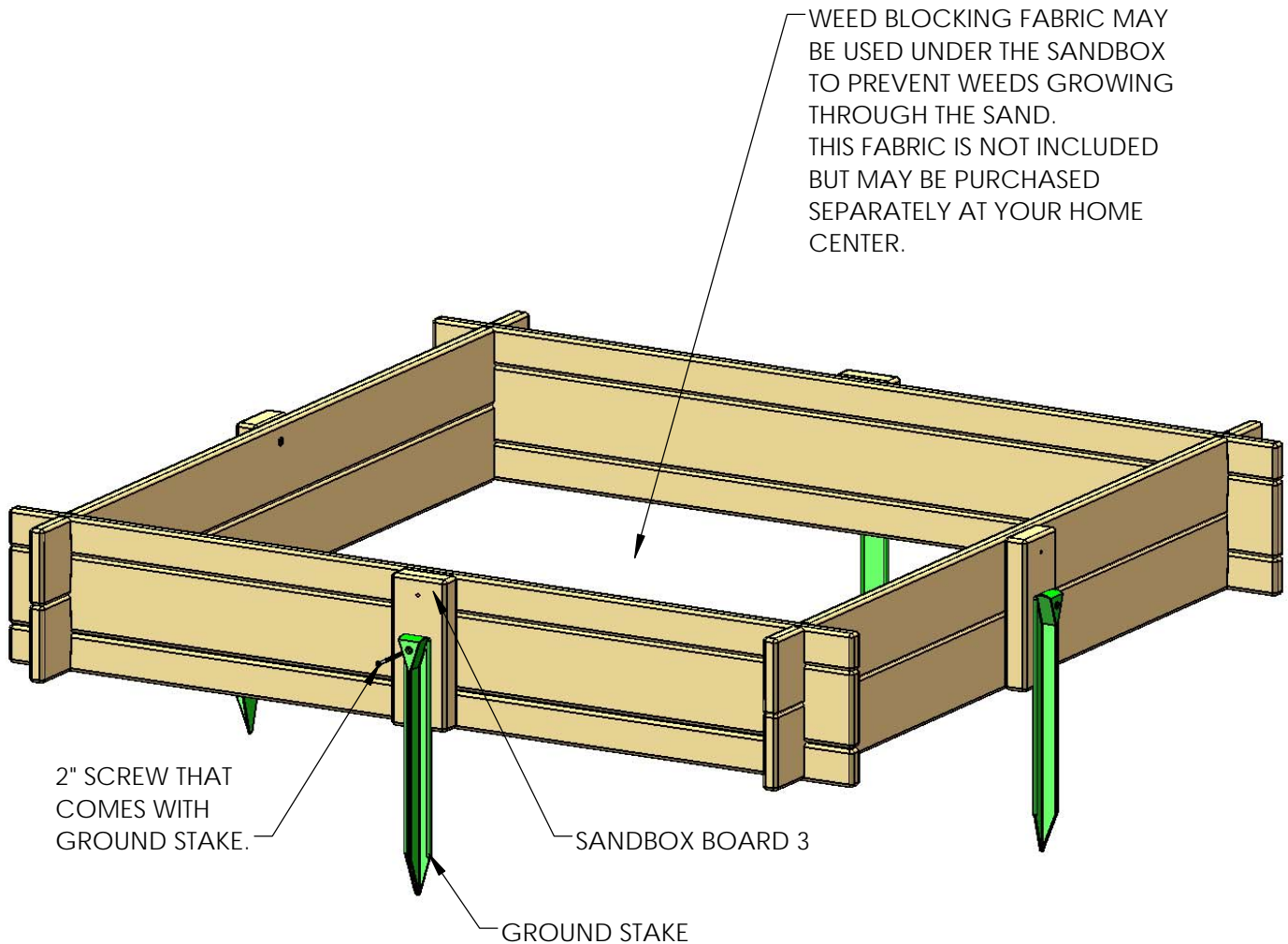
2: REPEAT THIS PROCESS FOR THE OTHER THREE SANDBOX BOARD 3 PIECES.



STEP 8: GROUND STAKES

1: NOW IS A GOOD TIME TO INSTALL WEED BLOCKING FABRIC (NOT INCLUDED) UNDER YOUR SANDBOX. THIS WILL MINIMIZE THE POSSIBILITY OF WEEDS GROWING UP THROUGH THE SAND. WEED BLOCKING FABRIC IS AVAILABLE AT YOUR LOCAL HOME CENTER.

2: MAKE SURE THE SANDBOX IS LEVEL AND SQUARE FIRST. NOW HAMMER IN A GROUND STAKE BESIDE SANDBOX BOARD 3. FASTEN THE GROUND STAKE TO SANDBOX BOARD 3 WITH THE SCREW THAT COMES IN THE BAG WITH THE GROUND STAKE. REPEAT THIS PROCEDURE FOR THE OTHER 3 GROUND STAKES. CHECK TO MAKE SURE THE SANDBOX STAYS LEVEL AND SQUARE AS YOU GO ALONG.

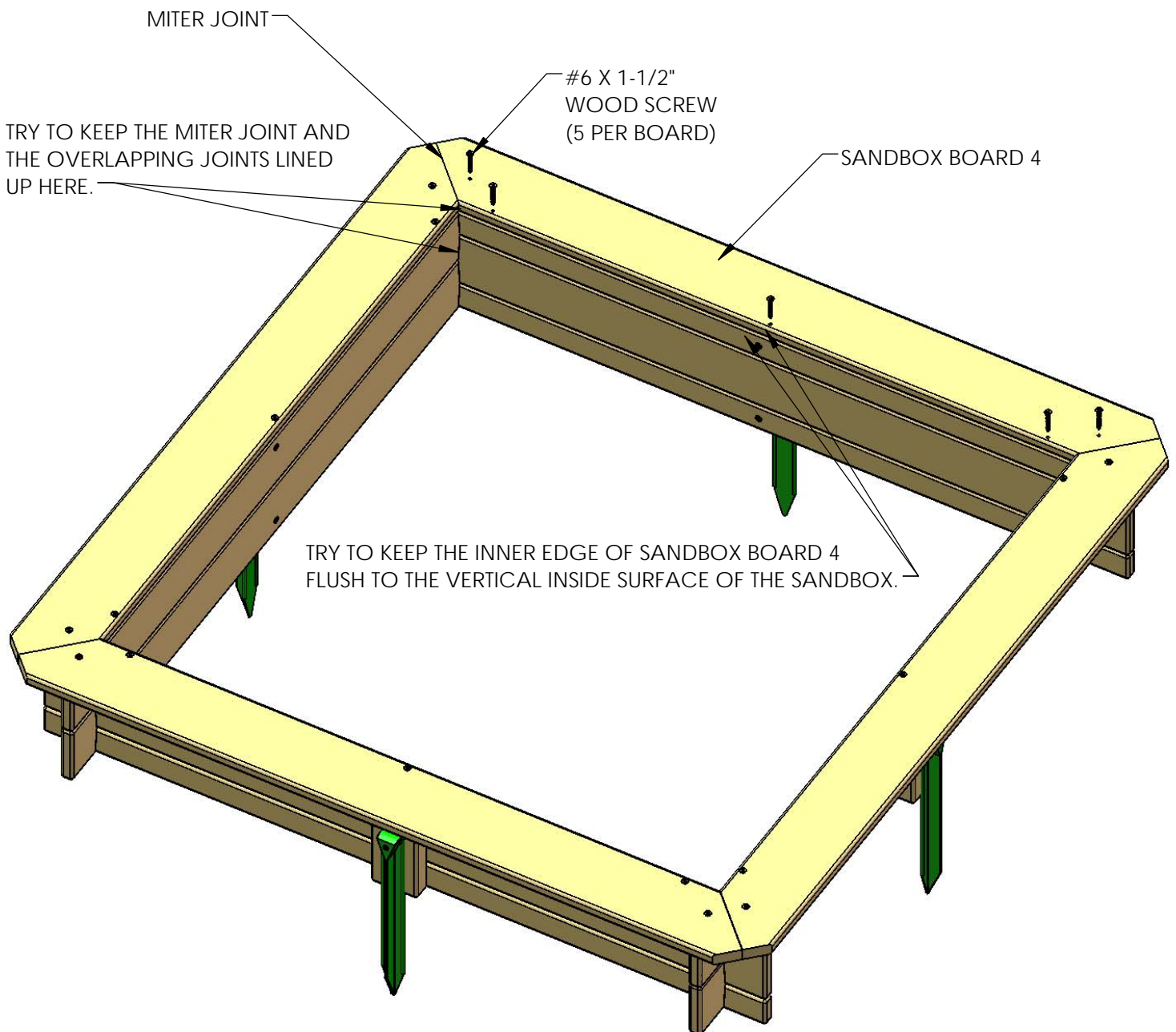


STEP 9: SANDBOX BOARD 4

1: PLACE THE SANDBOX BOARD 4 BOARDS AS SHOWN ON TOP OF THE SANDBOX. ALIGN THE MITERED ENDS WITH EACH OTHER IN THE CORNERS. TRY TO KEEP THE INSIDE EDGE OF SANDBOX BOARD 4 FLUSH TO THE VERTICAL INSIDE SURFACE OF THE SANDBOX BOARD. IF THERE ARE SLIGHT GAPS AT THE MITER JOINTS THEN THOSE WILL BE COVERED UP IN THE NEXT STEP.

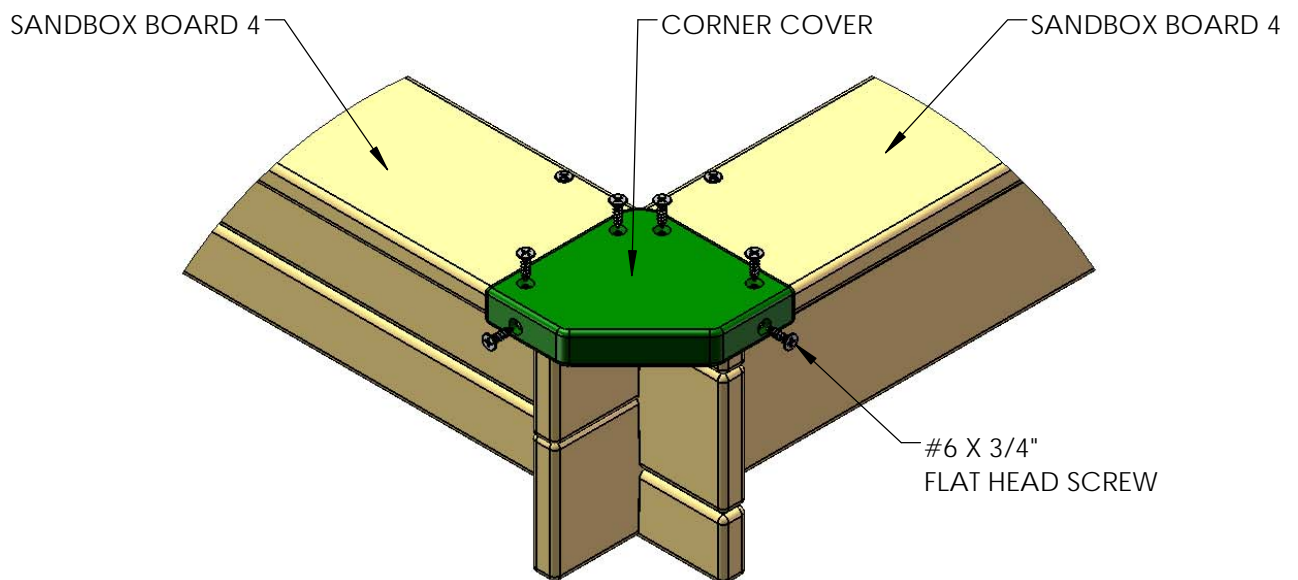
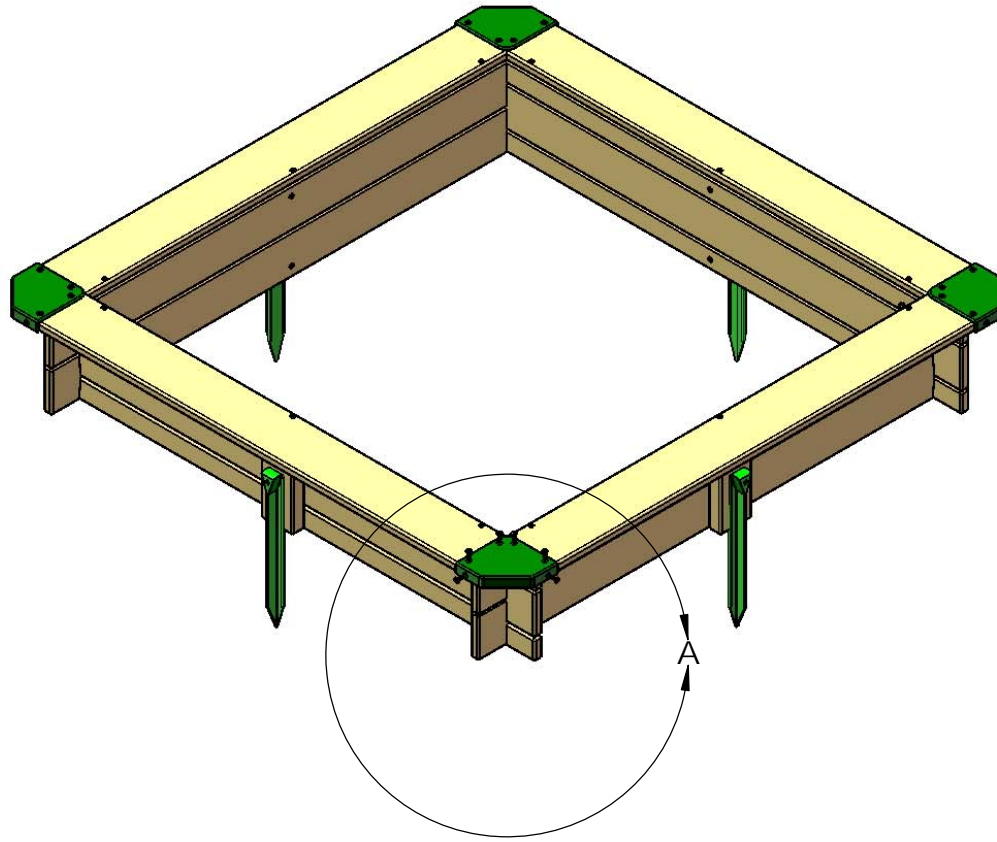
2: FASTEN THE SANDBOX BOARD 4 TO THE BOARDS BENEATH IT WITH #6 X 1-1/2" WOOD SCREWS. THERE WILL BE FIVE SCREWS USED PER BOARD.

3: GO AROUND THE SANDBOX FASTENING THE REMAINING SANDBOX BOARD 4 PARTS.



STEP 10: CORNER COVERS

- 1: PUSH THE CORNER COVER FLUSH AGAINST BOTH OF THE SANDBOX BOARD 4 PIECES.
- 2: INSTALL THE TWO SCREWS INTO THE SIDES OF THE SANDBOX BOARD 4 PIECES.
- 3: NOW INSTALL THE FOUR REMAINING SCREWS.
- 4: REPEAT SUBSTEPS 1 THROUGH 3 FOR THE THREE REMAINING CORNER COVERS.



DETAIL A
SCALE 1 : 4

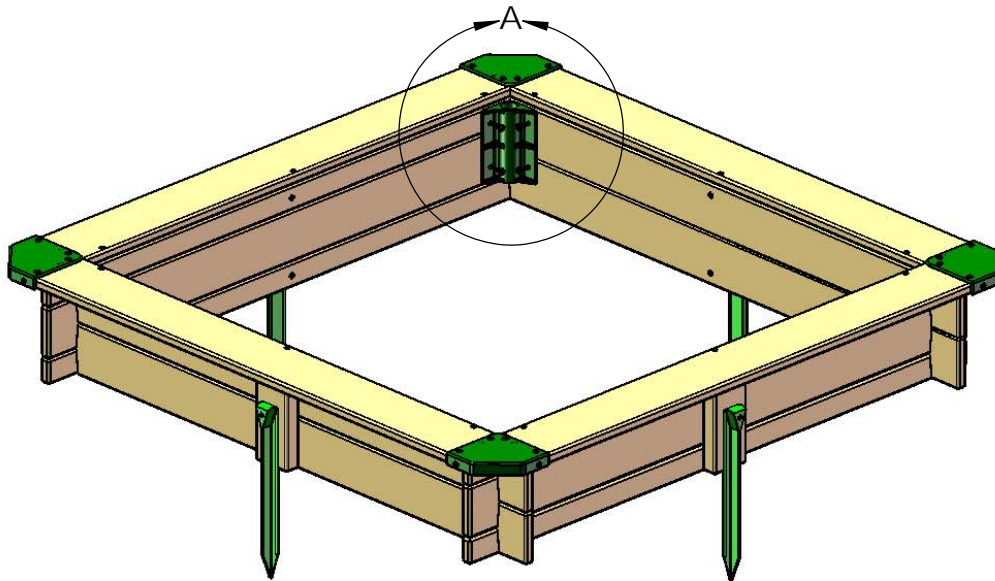
OPTION 1: UMBRELLA BRACKET

IF YOU PURCHASED THE OPTIONAL UMBRELLA WITH YOUR SANDBOX THEN YOU WILL INSTALL THE UMBRELLA BRACKET.

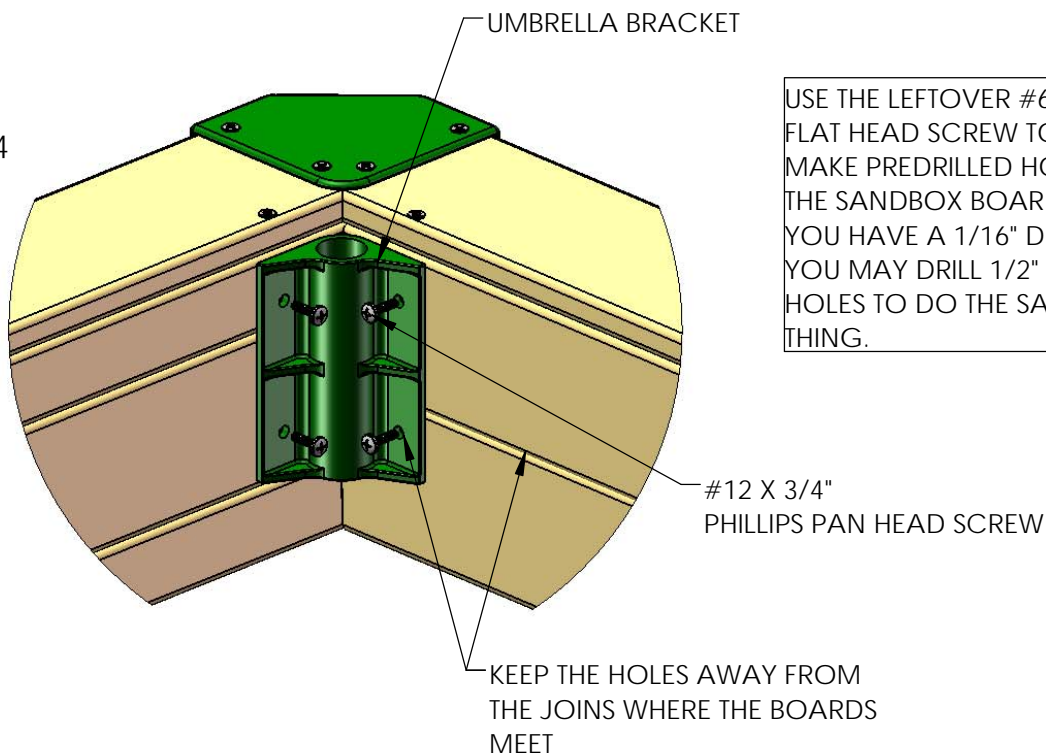
1: PLACE THE UMBRELLA BRACKET IN THE CORNER AS SHOWN. KEEP IN MIND THAT YOU WANT TO KEEP THE HOLES IN THE BRACKET AWAY AS FAR AS YOU CAN FROM THE JOINS WHERE THE BOARDS TOUCH.

2: THERE SHOULD BE ONE LEFTOVER #6 X 3/4" FLAT HEAD SCREW. IF YOU DO NOT HAVE A 1/16" DRILL BIT THEN YOU MAY USE THIS SCREW TO MAKE "PILOT" HOLES FOR THE PAN HEAD SCREWS. RUN THE FLAT HEAD SCREW INTO EACH HOLE AND BACK IT BACK OUT. IF YOU DO HAVE A 1/16" DRILL BIT THEN USE IT TO DRILL TO A DEPTH OF 1/2" AT EACH HOLE.

3: NOW INSTALL THE #12 X 3/4" PHILLIPS PAN HEAD SCREWS IN THE PREDRILLED HOLES. THE UMBRELLA BRACKET SHOULD NOW BE SECURED IN THE CORNER OF THE SANDBOX.



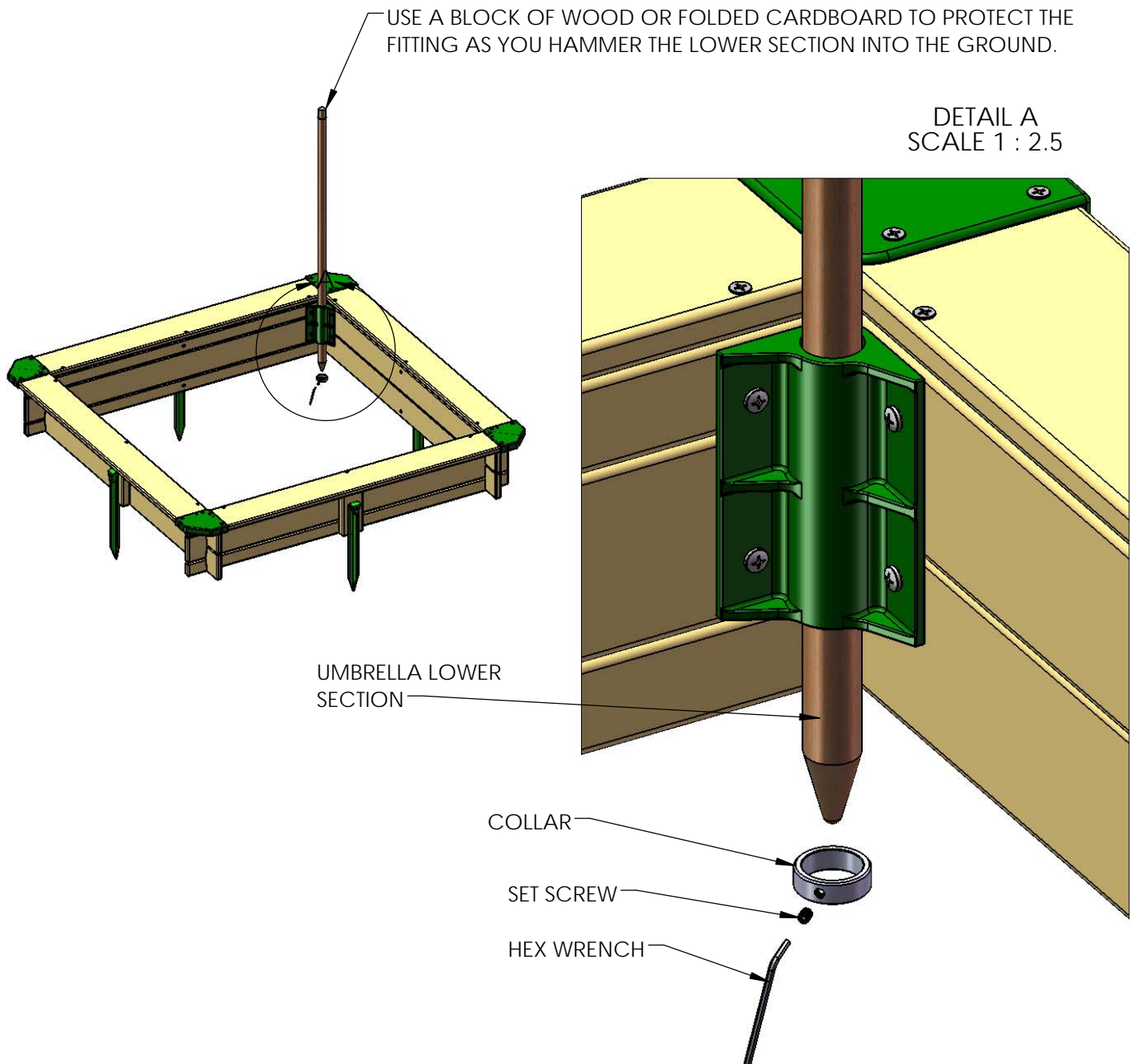
DETAIL A
SCALE 1 : 4



USE THE LEFTOVER #6 X 3/4" FLAT HEAD SCREW TO MAKE PREDRILLED HOLES IN THE SANDBOX BOARDS. IF YOU HAVE A 1/16" DRILL BIT YOU MAY DRILL 1/2" DEEP HOLES TO DO THE SAME THING.

OPTION 1: UMBRELLA MAST INSTALLATION

- 1: SLIDE THE POINTED END OF THE UMBRELLA LOWER SECTION THROUGH THE HOLE IN THE UMBRELLA BRACKET.
- 2: PLACE THE SET SCREW IN THE SET SCREW COLLAR WITH THE HEX RECESS IN THE SET SCREW POINTING OUT.
- 3: PLACE THE COLLAR OVER THE END OF THE UMBRELLA LOWER SECTION. THE COLLAR SHOULD BE LOOSE ON THE LOWER SECTION.
- 4: USE A SCRAP BLOCK OF WOOD OR USE CARDBOARD THAT IS FOLDED A FEW TIMES TO REDUCE THE CHANCE OF DAMAGING THE THREADS AT THE TOP OF THE LOWER SECTION.
- 5: PLACE THE BLOCK OF WOOD OR THE CARDBOARD ON TOP OF THE LOWER SECTION AND HAMMER THE SECTION INTO THE GROUND 6 TO 8 INCHES.
- 6: NOW SLIDE THE COLLAR UP FLUSH TO THE BOTTOM OF THE UMBRELLA BRACKET AND TIGHTEN THE SET SCREW WITH THE HEX WRENCH.



OPTION 1: UMBRELLA COMPLETION

1: SCREW THE UPPER PORTION OF THE UMBRELLA ONTO THE LOWER PORTION OF THE UMBRELLA.

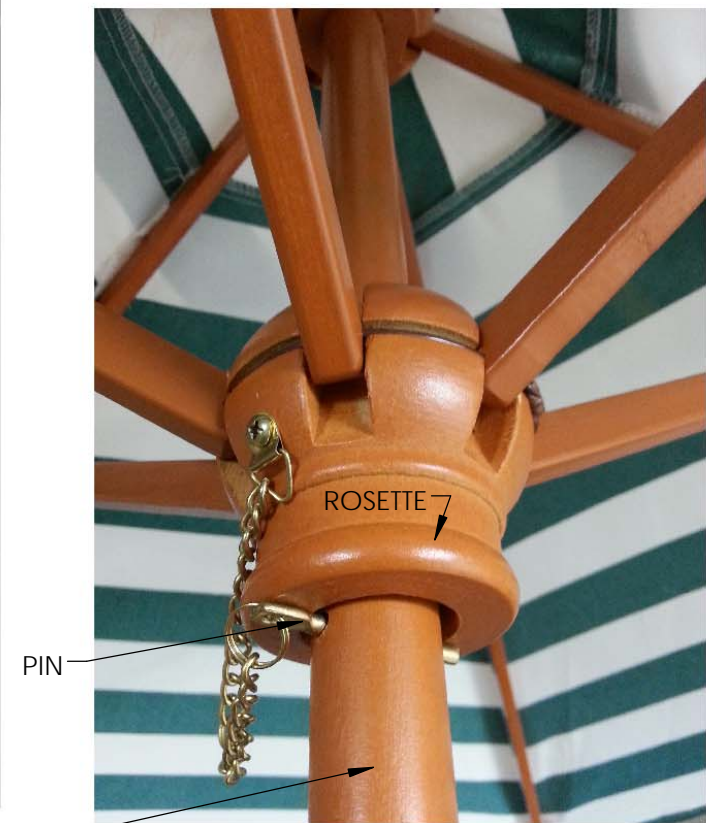
2: RAISE THE ROSETTE OF THE UMBRELLA, THEN INSERT THE PIN INTO THE HOLE.

WHEN NOT IN USE THE UMBRELLA SHOULD BE IN THE DOWN POSITION. IN THE WINTER REMOVE THE SET SCREW COLLAR FROM THE LOWER SECTION OF THE UMBRELLA AND STORE THE UMBRELLA AWAY IN SAFE LOCATION.

IF YOUR AREA EXPERIENCES HIGH WINDS OR FREQUENT STORMS YOU MAY WISH TO REMOVE THE UMBRELLA WHEN NOT IN USE. ANY DAMAGE INCURRED DUE TO HIGH WINDS, STORMS, NEGLIGENCE OR MISUSE IS NOT COVERED BY YOUR WARRANTY.



THREAD THE UPPER PORTION OF THE UMBRELLA ONTO THE LOWER PORTION.



PIN

MAST

SLIDE THE ROSETTE OF THE UMBRELLA UP THE MAST. WHEN THE HOLE IS REVEALED, INSERT THE PIN INTO THE HOLE UNTIL IT COMES OUT THE OTHER SIDE.

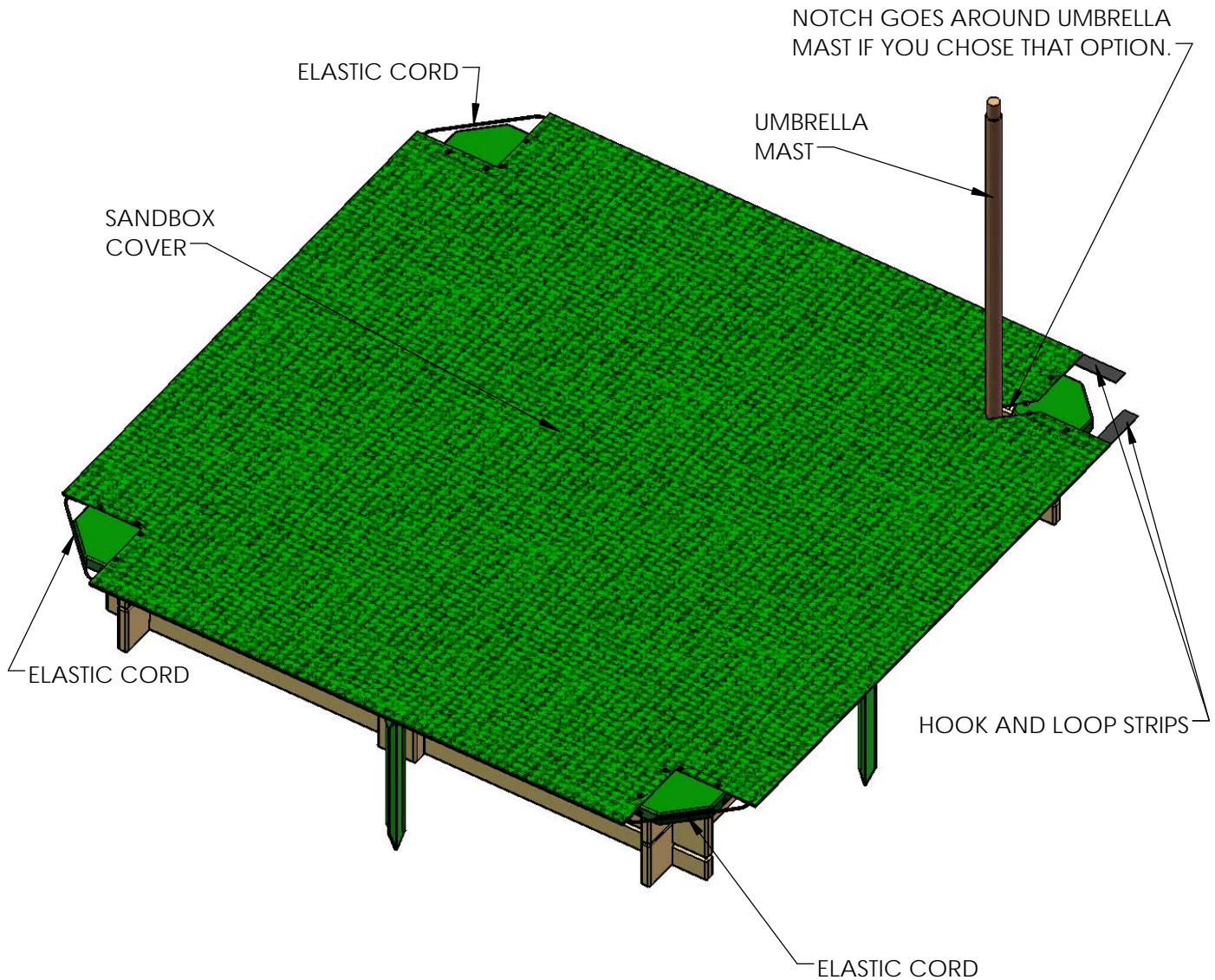
WARNING! - TEACH YOUR CHILDREN NOT TO PLAY WITH THE UMBRELLA. THE UMBRELLA IS NOT TO BE USED AS A PIVOT TO SWING AROUND. DO NOT CLIMB OR SLIDE DOWN UMBRELLA MAST. IF THE UMBRELLA BECOMES DAMAGED REMOVE IT AND REPLACE IT WITH A NEW ONE.

OPTION 2: SANDBOX COVER

1: THE SANDBOX COVER MAY BE USED WITH THE SANDBOX ALONE. IT MAY ALSO BE USED WITH THE SANDBOX AND THE UMBRELLA TOGETHER.

2: PLACE THE SANDBOX COVER OVER THE SANDBOX. LOOP THE ELASTIC CORD UNDER THE CORNERS OF THE SANDBOX. PULL THE HOOK AND LOOP STRIPS UNDER THE LAST CORNER AND OVERLAP THEM TO JOIN THEM TOGETHER.

AFTER REMOVING THE SANDBOX COVER IT SHOULD BE STOWED SAFELY AWAY FROM CHILDREN.



WARNING! - STOW SANDBOX COVER SAFELY AWAY FROM CHILDREN AFTER REMOVING IT. REMOVE OR REPLACE DAMAGED SANDBOX COVER IMMEDIATELY.