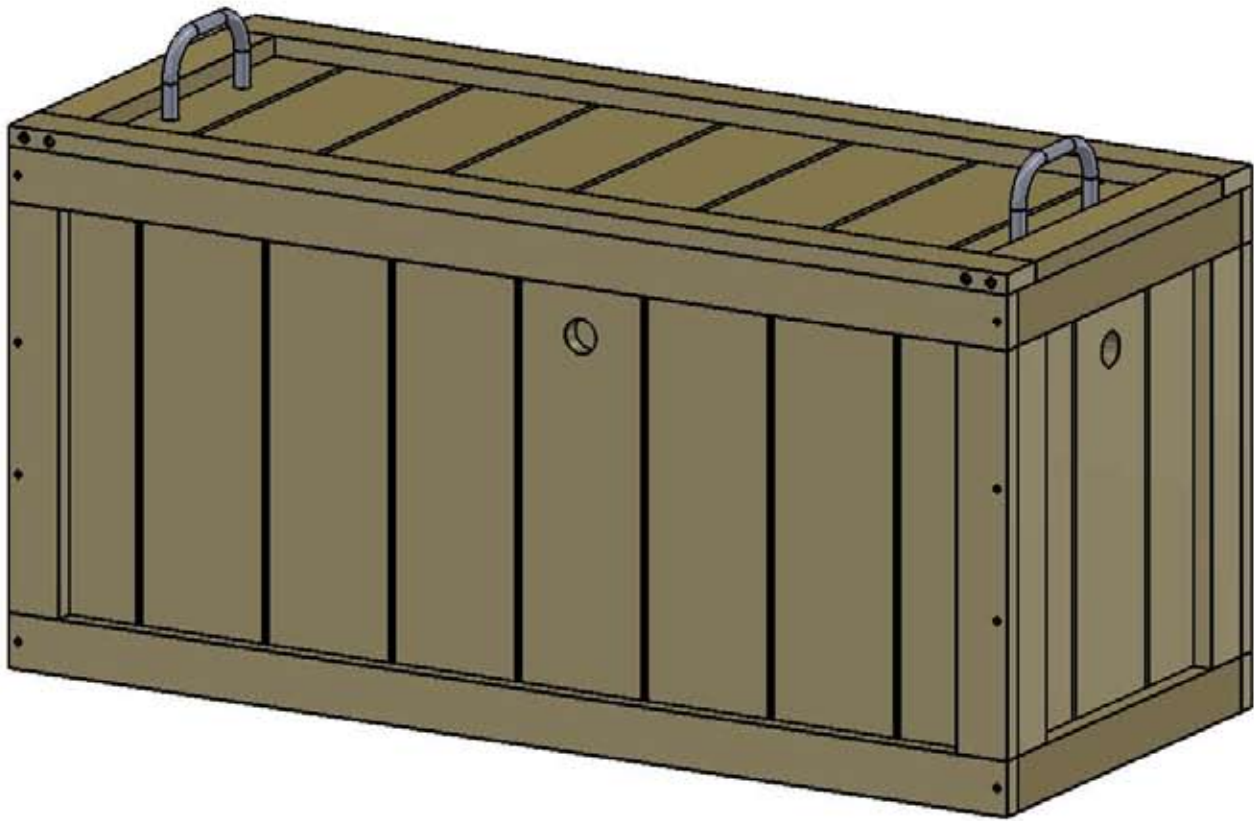


# (01-3013)



## Toy Chest

**-FOR RESIDENTIAL USE ONLY-**

**-FOR CHILDREN AGES 3-11-**

ASSEMBLY MANUAL

All Rights Reserved

Latest Revision: March 1, 2013

# TABLE OF CONTENTS

Warranty and Safety Guidelines.....	Pages 1-5
General Information, Tool List and Kit Contents.....	Page 6
Hardware and Lumber Checklist.....	Pages 7-8
Attach Front and Rear to Sides.....	Step 1
Attach Bottom.....	Step 2
Attach Ropes to Lid.....	Step 3
Drainage Holes.....	Step 4

**PLEASE READ OWNER'S MANUAL CAREFULLY  
BEFORE STARTING ASSEMBLY!**

# Limited Manufacturers Warranty

The “seller” warrants its play sets to be free from defects in workmanship and materials, under normal use and conditions at its original installation, for one year.

Cosmetic defects or natural defects of wood (e.g., warping, seasonal checking or cracking, knots, or knot holes, etc.) that do not affect the structural integrity of the product are not covered by this warranty. Defects that develop because the product is exposed to extreme climate conditions, excessive water exposure, lumber that has been damaged by wood boring bees, or defects that develop as a result of faulty or improper installation of the product, are not covered by this warranty. Fading or discoloration or molding of any wood part or surface rust on hardware are not considered defects in material as long as they do not affect the functionality or structural integrity of the part or component.

It is the owner’s responsibility to properly maintain the product. Imperfections or defects that develop because of a failure to properly maintain the play set are not covered by this warranty.

The “seller” will repair or, at its discretion, replace any part within the stated warranty period that is defective in workmanship or materials. This decision is subject to verification of the defect, which, at the “seller’s” discretion, may be accomplished by submitting photographs or by delivery of the defective part to the “seller”. Any warranty claim must include proof of purchase, including the date of purchase. In addition, within the first 30 days from the date of purchase, the “seller” will replace any parts discovered to be missing from or damaged in the original packaging.

This warranty is valid only if the product is used for the purpose for which it was designed and installed at a residential, single-family dwelling. This warranty is void if the product is used in a commercial or institutional setting. This warranty does not cover (a) products that have been damaged by acts of God, negligence, misuse, or accident, or that have been modified or repaired by unauthorized persons; (b) the cost of labor; or (c) the cost of shipping the product, any part, or any replacement product or part.

The “seller” **DISCLAIMS ALL OTHER REPRESENTATIONS AND WARRANTIES OF ANY KIND, EXPRESS, IMPLIED, STATUTORY, OR OTHERWISE, INCLUDING THE IMPLIED WARRANTIES OF MERCHANTABILITY AND FITNESS FOR A PARTICULAR PURPOSE. PLAYNATION WILL NOT BE LIABLE FOR ANY INCIDENTAL OR CONSEQUENTIAL DAMAGES.** This warranty is valid only in the United States of America, is nontransferable and does not extend to the owners of the product subsequent to the original purchaser. Some states do not allow limitations on implied warranties or exclusion of incidental or consequential damages, so these restrictions may not be applicable to you. This warranty gives you specific legal rights. You may also have other rights which vary from state to state.

# Important Safety Guidelines

This product is intended for residential use only and not intended for use in any public setting. A safety surface such as mulch or recycled tire should be used under the product to prevent injury from falls.

As with any home project, good judgment and respect for power tools will greatly reduce the risk of injury. We recommend you follow all tool manufacturers' safety guidelines. Always wear eye protection and safety gloves to prevent injury. While the toy chest is being constructed, please keep children away until the project is complete. Bolts and screw heads should be checked regularly for tightness.

The "seller" shall not be liable for incidental, indirect or consequential damages or injuries that result from the building and/or playing on this product. Adult supervision is recommended anytime a play set is being used.

## WEIGHT LIMIT

- 50 LBS. Total weight of objects inside toy chest.

The weight limit shown above must not be exceeded. Failure to adhere to these and other safety guidelines could result in damage to the product and injury to the users.

### Safety and Maintenance Tips:

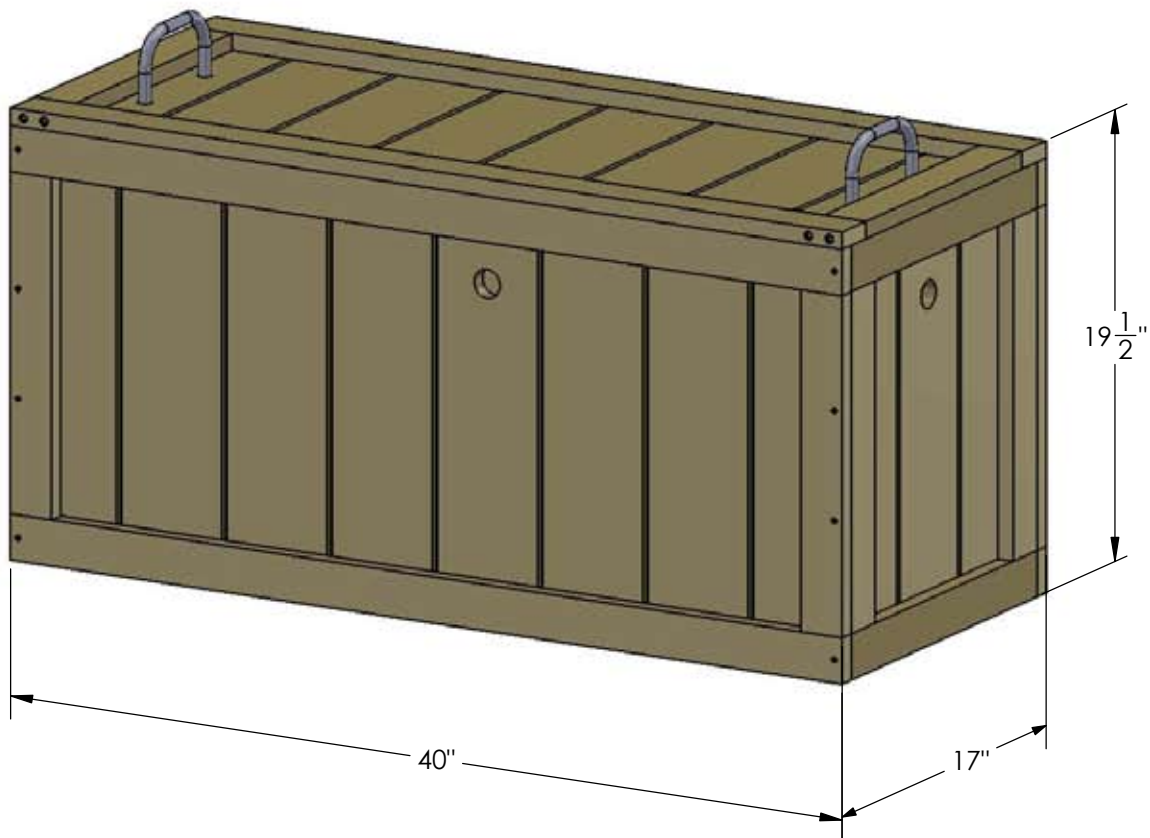
**NOTE: Your children's safety is our #1 concern. Observing the following statements and warnings reduces the likelihood of serious or fatal injury. Please review these safety rules regularly with your children.**

- On-site adult supervision is required.
- Do not add any additional hardware to the toy chest.
- Teach children not to place objects on top of toy chest lid.
- Teach children not to sit on top of toy chest lid.
- Teach children not to play, stand or hide inside toy chest.
- Teach children not to stand on top of or jump from top of toy chest.
- Teach children to remove toy chest lid completely before retrieving toys from inside.
- Teach children not to use the equipment in a manner other than intended.
- Parents should have children dress appropriately. Loose clothing such as scarves and ponchos should not be worn. Always take off, tie up or tuck in cords and drawstrings on children's clothing. These things can get caught on playground equipment and strangle a child.
- Verify that the ends of the rope handles are tied on both ends and the rope cannot wrap around an adult hand.
- Teach children not to attach items to the toy chest that are not specifically designed for use with the equipment, such as, but not limited to, jump ropes, clothesline, pet leashes, cables and chain as they may cause a strangulation hazard.
- Children must NOT use this product until it has been completely assembled and inspected by an adult.

## Safety and Maintenance Tips for Your New Play Set: (continued)

This product should be inspected on a regular basis. If any of the following conditions are noted, they should be removed, corrected, or repaired immediately to prevent injuries.

- Hardware that is loose, worn or that has protrusions or projections.
- Splinters, large cracks, and decayed wood components.
- Deterioration and corrosion on structural components.
- Missing or damaged equipment components.
- Check all screws frequently during the usage season and tighten as required.  
(But not so tight that you crack the wood)
- Check all coverings for bolts and sharp edges twice monthly during usage season to be certain they are in place. Replace when necessary. It is especially important to do this at the beginning of each new season.
- Inspect wood parts monthly. The grain of the wood sometimes will lift in the dry season causing splinters to appear. Light sanding may be necessary to maintain a safe playing environment. If you are treating your toy chest with stain regularly, it will help prevent severe checking/splitting and other weather damage.
- Once or twice a year, depending on your climate conditions, you must apply some type of protection (sealant) to the wood of your unit. Prior to the application of sealant, lightly sand any "rough" spots on your set. Please note this is a requirement of your warranty.
- Disposal Instructions: When the toy chest is no longer desired, it should be disassembled and disposed of in such away that no unreasonable hazards will exist at the time it is discarded.



# General Info to Review Before Installation

- Identify all of the parts for your toy chest. Empty each box and lay out pieces so you can see each part. Your instruction book will have detailed drawings that will make it easy for you to recognize individual parts. Keep all hardware separate from wooden pieces.
- After everything is laid out, check carefully to ensure all parts are present. Make sure there are no broken boards.
- Find an area to sort your hardware. It is best to open the hardware on a solid surface so that you do not lose any pieces in the grass. This will save time and familiarize you with all the different pieces in the hardware bag.
- Important note: Wood has some natural defects such as knots, surface cracks, etc... We reject parts that are structurally defective. We use a high quality lumber in our structures; however, you should inspect each part for splinters or rough spots and sand them smooth to prevent injury.
- After familiarizing yourself with all of the components, read all instructions thoroughly. Reading instructions after you have studied the parts will help you understand more clearly the installation process, and help to eliminate unnecessary mistakes.
- Pay close attention to the diameter and length of each bolt and screw.
- After you complete installation, make sure every bolt, screw, and nut is tight, and every board is secure. Wood will expand and contract with the seasons.
- Check all screw connections seasonally.
- Place the toy chest on level ground, not less than 6ft from any structure or obstruction such as a fence, garage, house, overhanging branches, laundry lines, or electrical wires.

## REQUIRED TOOL LIST:

- \_\_\_ Interchangeable tip screwdriver or power screwdriver
- \_\_\_ #2 square bit

## KIT CONTENTS:

- \_\_\_ (Qty ) Description
- \_\_\_ (2) Front/Rear Panels (same)
- \_\_\_ (1) Bottom Panel
- \_\_\_ (1) Top Panel
- \_\_\_ (2) Side Panels (same)
- \_\_\_ (2) Rope (1/2" diameter x 22" long)
- \_\_\_ (1) Hardware Bag

11-0030 - TOY CHEST HARDWARE  
6/22/2012  
REV: B J.H.

#8 X 1-1/2"  
WOOD SCREW  
QTY: 30



#2 SQUARE  
DRIVE BIT  
QTY: 1

9

8

7

6

5

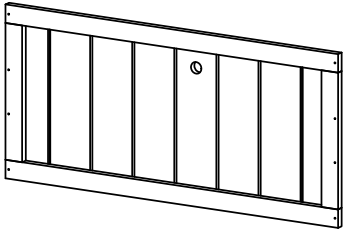
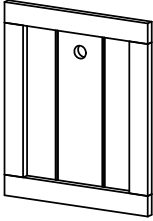
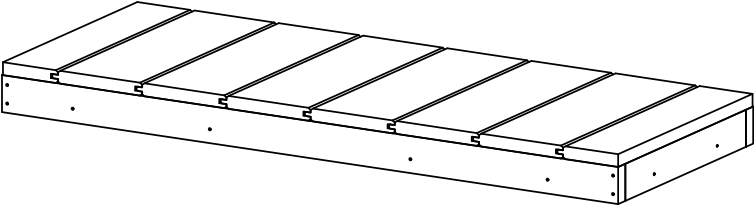
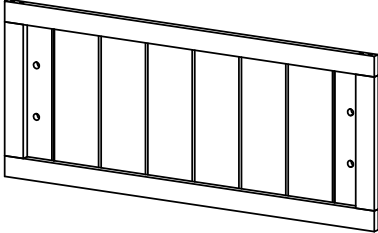
4

3

2

1

USE THE RULER TO THE RIGHT TO MEASURE YOUR BOLTS AND SCREWS. PICTURE VIEWS SHOWN ABOVE ARE 1:1 SCALE AND CAN BE USED TO MATCH BOLT AND SCREW SIZES.

PICTURE	DESCRIPTION	QTY.
	FRONT/REAR PANEL 1-1/2" THICK X 18-3/4" HIGH X 40" LONG	<b>2</b>
	SIDE PANEL 1-1/2" THICK X 18-3/4" HIGH X 15-1/2" LONG	<b>2</b>
	BOTTOM PANEL 2-11/16" THICK X 14-1/16" WIDE X 37- 1/16" LONG	<b>1</b>
	TOP PANEL (LID) 1-1/2" THICK X 17" WIDE X 40" LONG	<b>1</b>
(NOT SHOWN)	ROPE 1/2" DIAMETER X 22" LONG	<b>2</b>
(NOT SHOWN)	HARDWARE BAG	<b>1</b>



# STEP 1: ATTACH FRONT AND REAR TO SIDES

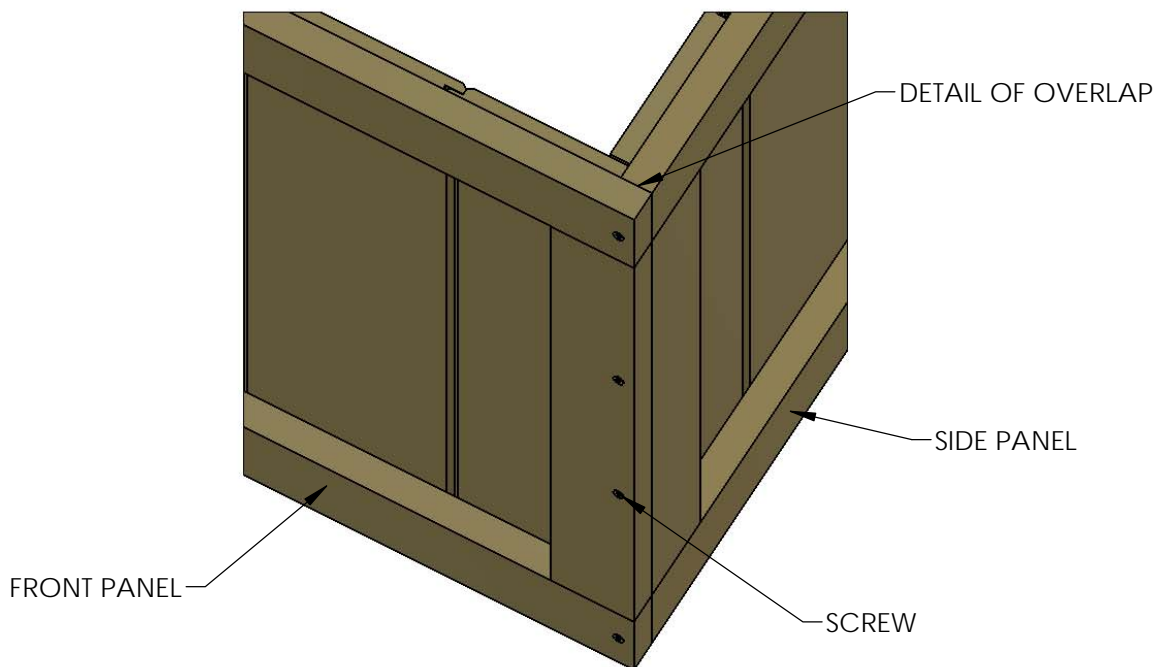
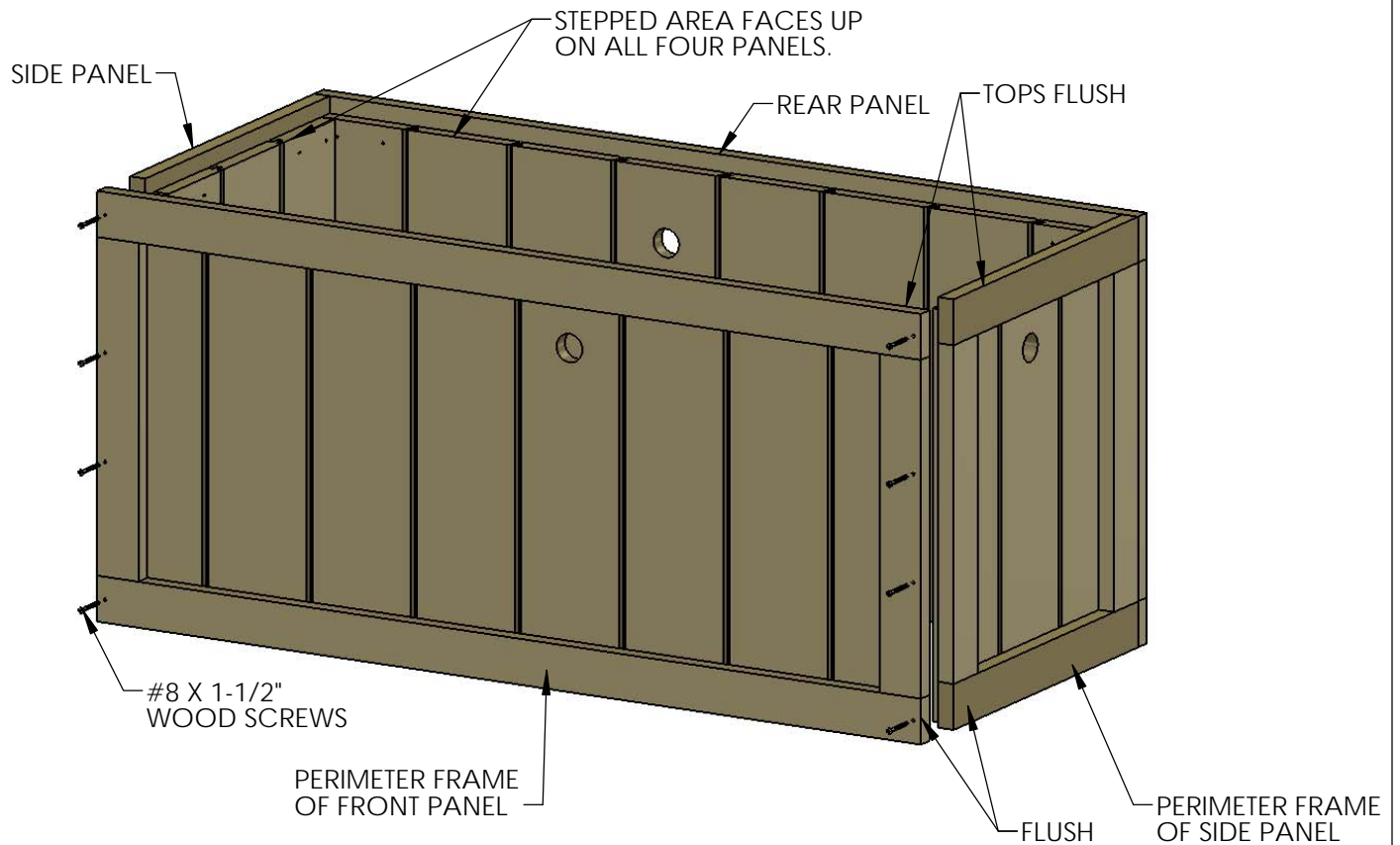
1: LOCATE THE 18-3/4" H X 40" WIDE FRONT AND REAR PANELS AND TWO 18-3/4" H X 15-1/2" SIDE PANELS. NOTE THE FRONT AND REAR PANELS ARE THE SAME.

2: PLACE ALL THE PANELS SO THAT THE STEPPED AREA IS FACING UP.

3: THE PERIMETER FRAME OF THE FRONT PANEL WILL OVERLAP PERIMETER FRAME OF THE SIDE PANELS. THE TOP OF THE FRONT PANEL WILL BE FLUSH TO THE TOP OF THE SIDE PANELS.

4: ATTACH THE FRONT PANEL TO THE SIDE PANELS WITH #8 X 1-1/2" WOOD SCREWS.

5: REPEAT THIS PROCESS TO ATTACH THE REAR PANEL.

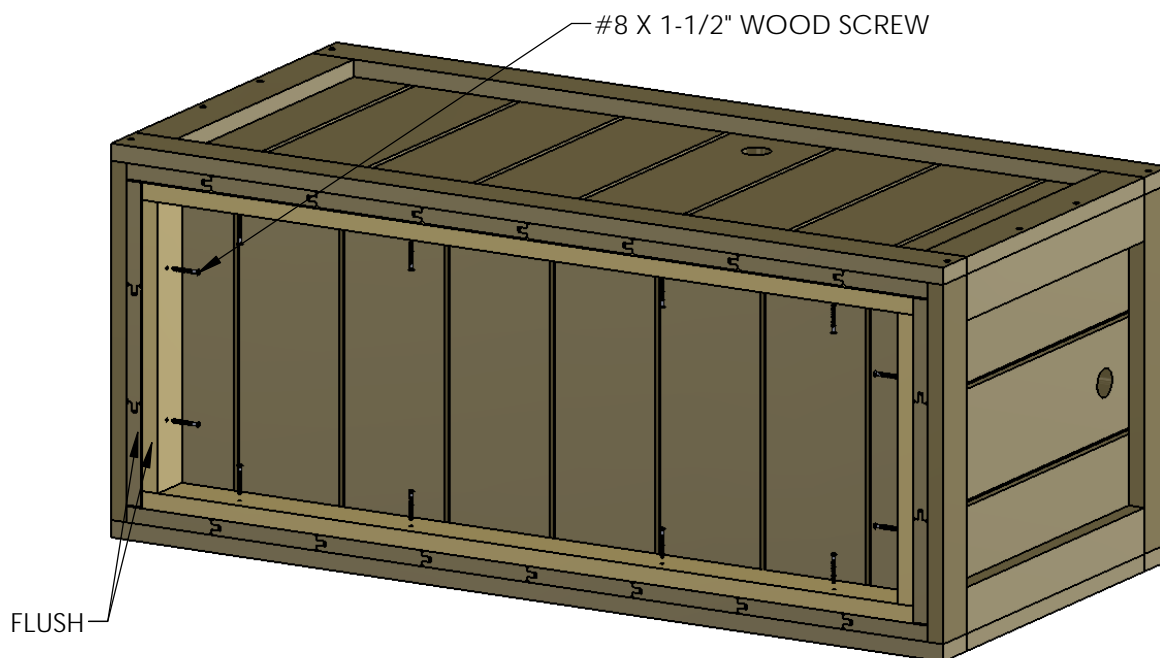
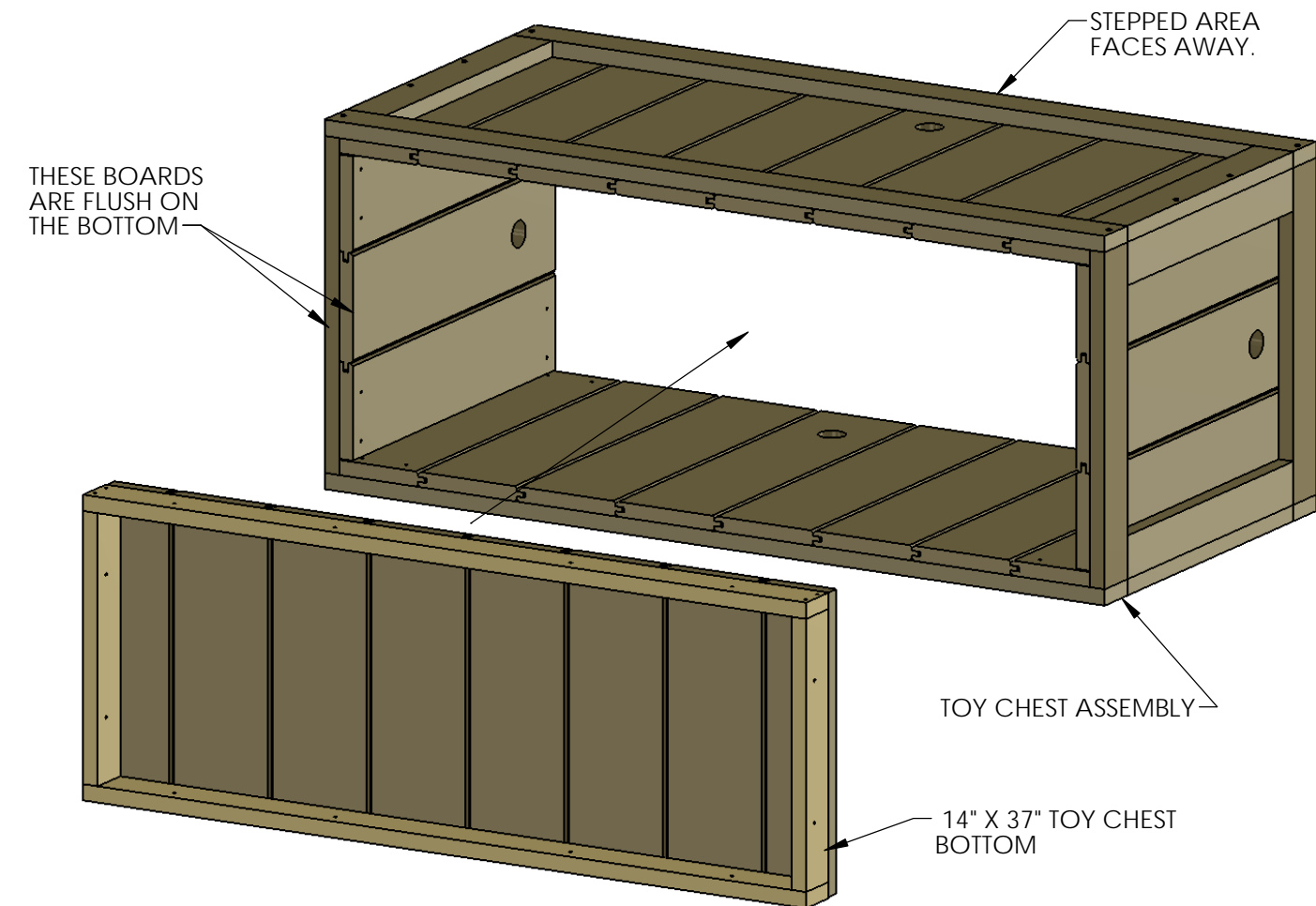


## STEP 2: ATTACH BOTTOM

1: ROLL THE TOY CHEST ASSEMBLY ONTO THE BACK SIDE WITH THE STEPPED AREA FACING AWAY FROM YOU.

2: PLACE THE 14" X 37" BOTTOM INSIDE THE TOY CHEST ASSEMBLY. THE PERIMETER FRAME OF THE BOTTOM SHOULD BE FLUSH TO THE BOTTOM OF THE FRONT/REAR AND SIDES

3: ATTACH THE BOTTOM TO THE FRONT/REAR AND SIDE PANELS WITH #8 X 1-1/2" WOOD SCREWS.



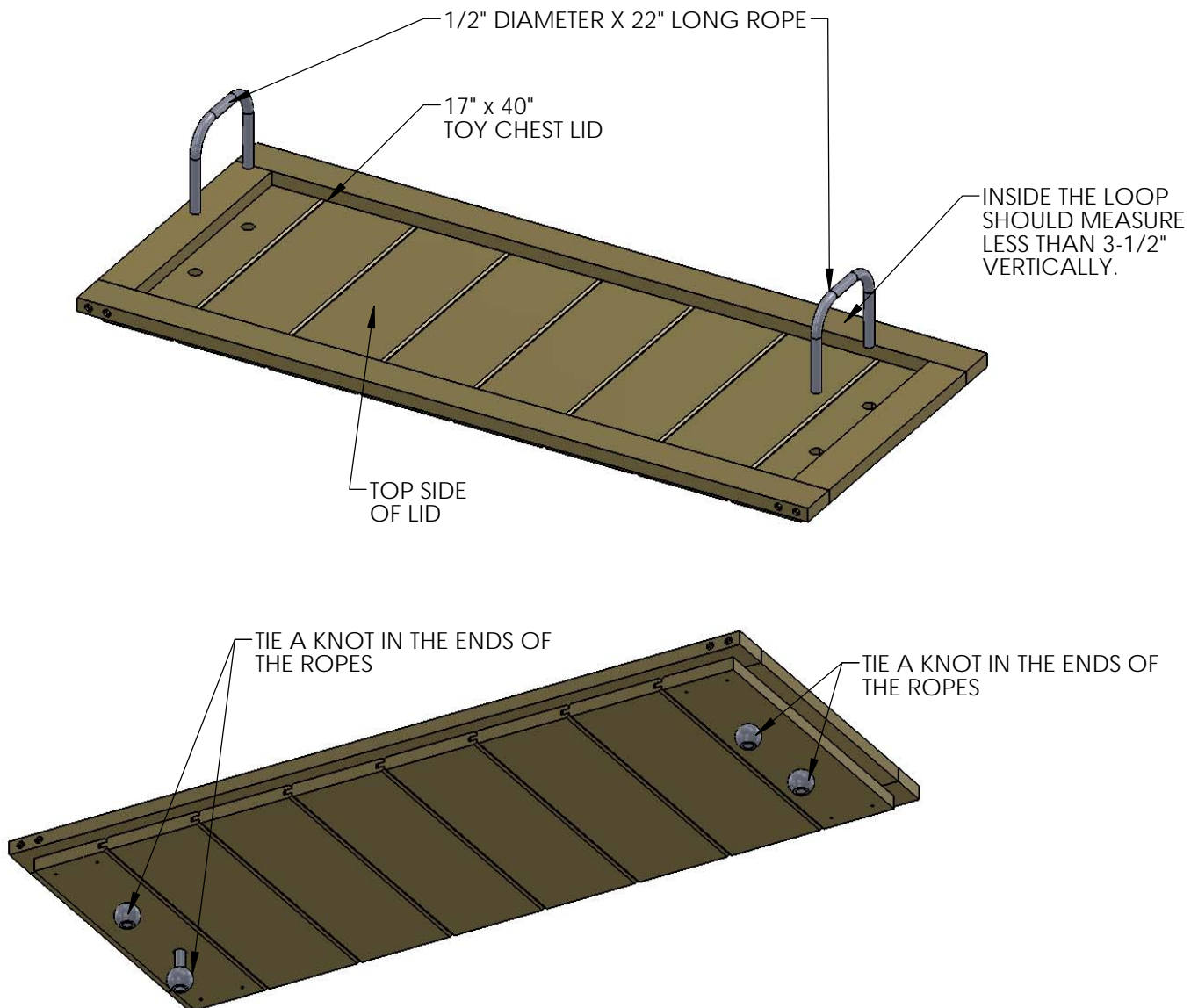
## STEP 3: LID

1: LOCATE THE 17" X 40" TOY CHEST LID AND TWO 1/2" DIAMETER X 22" LONG PIECES OF ROPE.

2: PUSH THE ENDS OF THE ROPE THROUGH THE HOLES IN THE TOP OF THE LID.

3: TIE A KNOT IN EACH END ON THE BOTTOM SIDE OF THE LID.

4: GRAB THE ROPE IN YOUR HAND AND MAKE SURE THAT IT CANNOT WRAP AROUND YOUR HAND. IF THE ROPE WRAPS AROUND YOUR HAND THEN RE-TIE THE KNOTS ON THE BOTTOM UNTIL IT DOES NOT WRAP AROUND YOUR HAND.



**!WARNING! - THE TOY CHEST IS NOT A TOY. IT IS A TOY STORAGE CONTAINER.**

ALWAYS OBEY THESE SAFETY WARNINGS AND THOSE MENTIONED PREVIOUSLY IN THIS MANUAL:

- \*DO NOT ADD ANY ADDITIONAL HARDWARE TO THE LID.
- \*DO NOT PLACE OBJECTS ON TOP OF THE LID WHILE THE LID IS ON THE TOY CHEST.
- \*DO NOT PLACE OBJECTS ON TOP OF THE LID WHEN THE LID IS OFF THE TOY CHEST.
- \*DO NOT SIT ON TOP OF THE TOY CHEST.
- \*DO NOT STAND ON TOP OF THE TOY CHEST.
- \*DO NOT JUMP FROM THE TOP OF THE TOY CHEST.
- \*DO NOT STAND, JUMP OR HIDE INSIDE THE TOY CHEST.

## STEP 4: DRAINAGE HOLES

1: IN THIS STEP YOU WILL DRILL HOLES IN THE BOTTOM OF THE TOY CHEST TO ALLOW ANY WATER TO DRAIN OUT THE BOTTOM OF THE TOY CHEST.

2: DRILL HOLES FROM **INSIDE** THE TOY CHEST TOWARD THE BOTTOM SO IF THE BOARD SPLINTERS OUT THE SPLINTERS WILL NOT BE INSIDE THE TOY CHEST. USE A 1/4" TO 3/8" DRILL BIT TO DRILL THE HOLES.

